

# Keysight 33210A 10 MHz Function/Arbitrary Waveform Generator

Installation Instructions for 33210-67001 Retrofit Kit

Retrofit  
Instructions

# Notices

## Copyright Notice

© Keysight Technologies 2008 - 2020  
No part of this manual may be reproduced in any form or by any means (including electronic storage and retrieval or translation into a foreign language) without prior agreement and written consent from Keysight Technologies as governed by United States and international copyright laws.

## Manual Part Number

33210-90020

## Edition

Edition 2, November 2020

## Printed in:

Printed in Malaysia

## Published by:

Keysight Technologies  
Bayan Lepas Free Industrial Zone,  
11900 Penang, Malaysia

## Technology Licenses

The hardware and/or software described in this document are furnished under a license and may be used or copied only in accordance with the terms of such license.

## Declaration of Conformity

Declarations of Conformity for this product and for other Keysight products may be downloaded from the Web. Go to <http://www.keysight.com/go/conformity>. You can then search by product number to find the latest Declaration of Conformity.

## U.S. Government Rights

The Software is "commercial computer software," as defined by Federal Acquisition Regulation ("FAR") 2.101. Pursuant to FAR 12.212 and 27.405-3 and Department of Defense FAR Supplement ("DFARS") 227.7202, the U.S. government acquires commercial computer software under the same terms by which the software is customarily provided to the public. Accordingly, Keysight provides the Software to U.S. government customers under its standard commercial license, which is embodied in its End User License Agreement (EULA), a copy of which can be found at <http://www.keysight.com/find/sweula>. The license set forth in the EULA represents the exclusive authority by which the U.S. government may use, modify, distribute, or disclose the Software. The EULA and the license set forth therein, does not require or permit, among other things, that Keysight: (1) Furnish technical information related to commercial computer software or commercial computer software documentation that is not customarily provided to the public; or (2) Relinquish to, or otherwise provide, the government rights in excess of these rights customarily provided to the public to use, modify, reproduce, release, perform, display, or disclose commercial computer software or commercial computer software documentation. No additional government requirements beyond those set forth in the EULA shall apply, except to the extent that those terms, rights, or licenses are explicitly required from all providers of commercial computer software pursuant to the FAR and the DFARS and are set forth specifically in writing elsewhere in the EULA. Keysight shall be under no obligation to update, revise or otherwise modify the Software. With respect to any technical data as defined by FAR 2.101, pursuant to FAR 12.211 and 27.404.2 and DFARS 227.7102, the U.S. government acquires no greater than Limited Rights as defined in FAR 27.401 or DFAR 227.7103-5 (c), as applicable in any technical data.

## Warranty

THE MATERIAL CONTAINED IN THIS DOCUMENT IS PROVIDED "AS IS," AND IS SUBJECT TO BEING CHANGED, WITHOUT NOTICE, IN FUTURE EDITIONS. FURTHER, TO THE MAXIMUM EXTENT PERMITTED BY APPLICABLE LAW, KEYSIGHT DISCLAIMS ALL WARRANTIES, EITHER EXPRESS OR IMPLIED, WITH REGARD TO THIS MANUAL AND ANY INFORMATION CONTAINED HEREIN, INCLUDING BUT NOT LIMITED TO THE IMPLIED WARRANTIES OF MERCHANTABILITY AND FITNESS FOR A PARTICULAR PURPOSE. KEYSIGHT SHALL NOT BE LIABLE FOR ERRORS OR FOR INCIDENTAL OR CONSEQUENTIAL DAMAGES IN CONNECTION WITH THE FURNISHING, USE, OR PERFORMANCE OF THIS DOCUMENT OR OF ANY INFORMATION CONTAINED HEREIN. SHOULD KEYSIGHT AND THE USER HAVE A SEPARATE WRITTEN AGREEMENT WITH WARRANTY TERMS COVERING THE MATERIAL IN THIS DOCUMENT THAT CONFLICT WITH THESE TERMS, THE WARRANTY TERMS IN THE SEPARATE AGREEMENT SHALL CONTROL.

## Safety Information

### CAUTION

A CAUTION notice denotes a hazard. It calls attention to an operating procedure, practice, or the like that, if not correctly performed or adhered to, could result in damage to the product or loss of important data. Do not proceed beyond a CAUTION notice until the indicated conditions are fully understood and met.

### WARNING

A WARNING notice denotes a hazard. It calls attention to an operating procedure, practice, or the like that, if not correctly performed or adhered to, could result in personal injury or death. Do not proceed beyond a WARNING notice until the indicated conditions are fully understood and met.

## Waste Electrical and Electronic Equipment (WEEE) Directive

This instrument complies with the WEEE Directive marking requirement. This affixed product label indicates that you must not discard this electrical or electronic product in domestic household waste.

### Product category:

With reference to the equipment types in the WEEE directive Annex 1, this instrument is classified as a “Monitoring and Control Instrument” product.

The affixed product label is as shown below.



Do not dispose in domestic household waste.

To return this unwanted instrument, contact your nearest Keysight Service Center, or visit <http://about.keysight.com/en/companyinfo/environment/takeback.shtml> for more information.

## Sales and Technical Support

To contact Keysight for sales and technical support, refer to the support links on the following Keysight websites:

- [www.keysight.com/find/33210A](http://www.keysight.com/find/33210A)  
(product-specific information and support, software and documentation updates)
- [www.keysight.com/find/assist](http://www.keysight.com/find/assist)  
(worldwide contact information for repair and service)

THIS PAGE HAS BEEN INTENTIONALLY LEFT BLANK.

# Keysight 33210A Option 001 External Timebase Reference

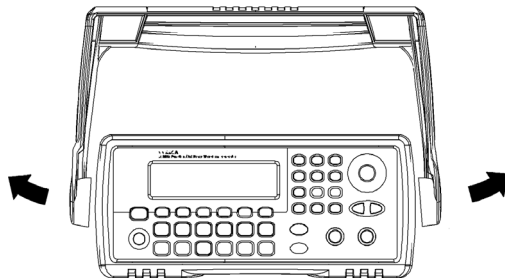
Installing the Timebase Assembly	6
Calibration	11

## **Installation Instructions for 33210-67001 Retrofit Kit**

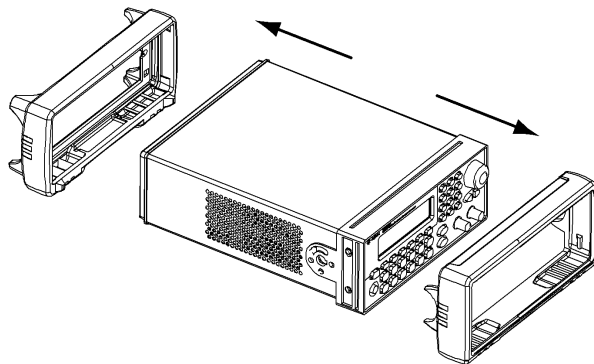
This guide shows how to install the Option 001 External Timebase Reference assembly into the Keysight 33210A. This assembly can be installed on all Keysight 33210A instruments (all serial numbers) that were not shipped with Option 001 installed. The *Keysight 33210A Function/Arbitrary Waveform Generator User's Guide* contains instructions on using the features (identified as “option 001 only”) supported by the timebase assembly.

## Installing the Timebase Assembly

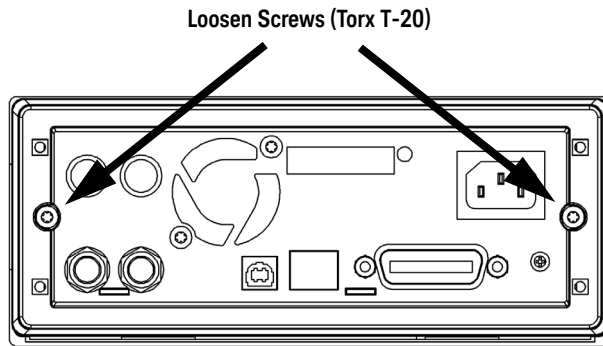
- 1 Turn off the power. Remove all cables from the instrument.
- 2 Rotate the handle upright and pull off.



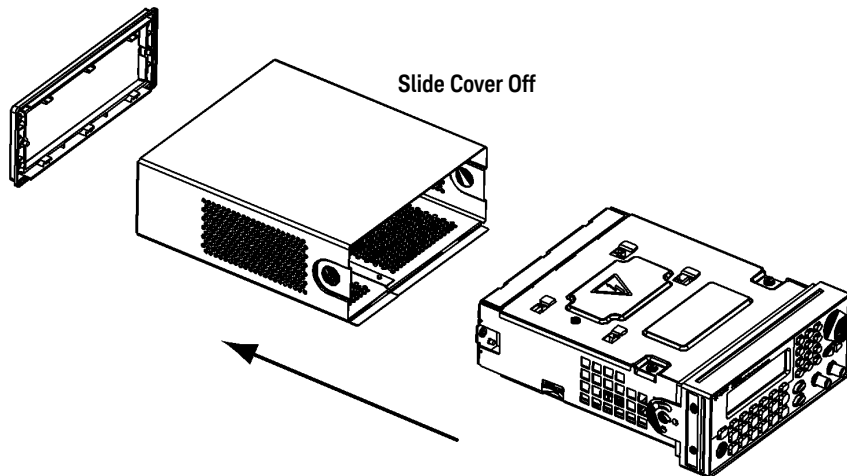
- 3 Pull off the instrument bumpers.



- 4 Loosen the two captive screws in the rear bezel and remove the rear bezel.



- 5 Slide off the instrument cover.

**WARNING**

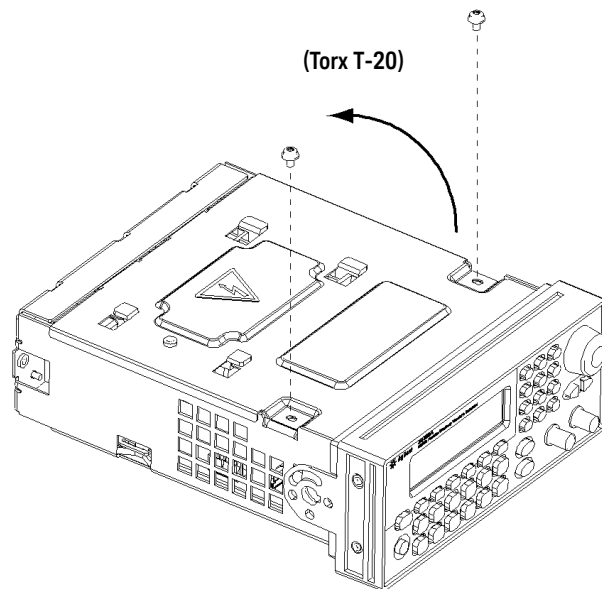
**SHOCK HAZARD.** Make sure that the power cable has been removed from the instrument before proceeding. Dangerous voltages may be encountered inside the instrument chassis at any time when the power cord is connected to power, even with the power switch turned off.

**CAUTION**

Electrostatic discharge (ESD) can damage components on unprotected circuit boards. Use *static safe* procedures when handling circuit boards. Avoid high-static areas such as carpeted floors. If an anti-static wrist strap is available, its use is recommended. Otherwise, touch the metal instrument chassis to discharge static electricity before removing the timebase assembly from its anti-static bag. Handle the assembly by its edges, and avoid touching components.

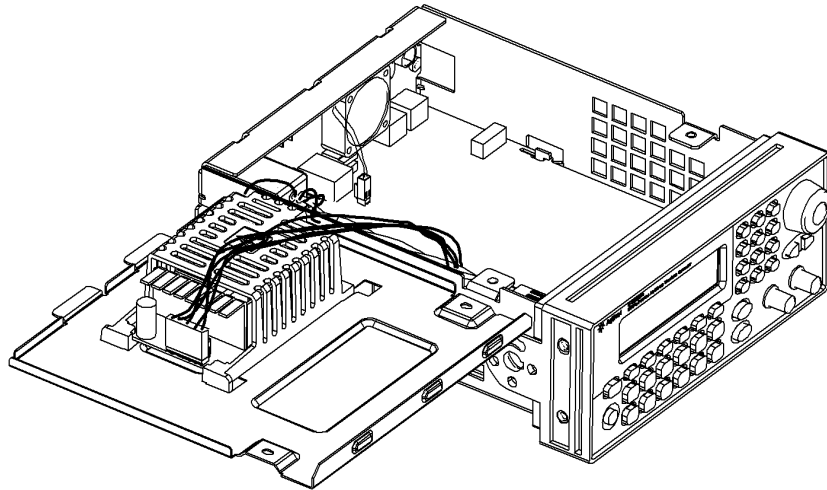
---

- 6 Remove the two screws securing the power supply deck (top plate) to the chassis.
- 7 Raise the front of the deck, pull forward, and then lift the deck (with power supply assembly attached) from the chassis.



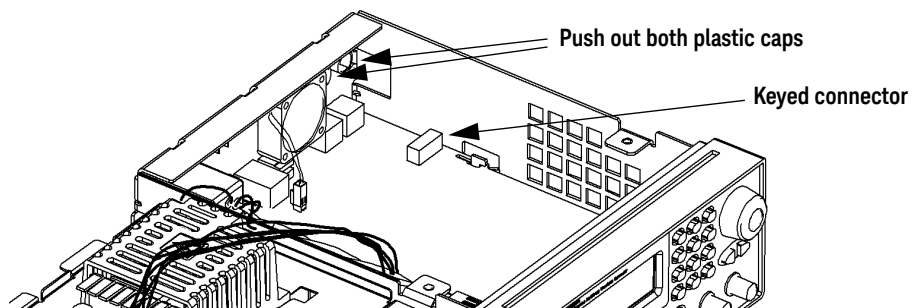


- 8 Lay the deck and power supply assembly (with cables still connected) to the side.



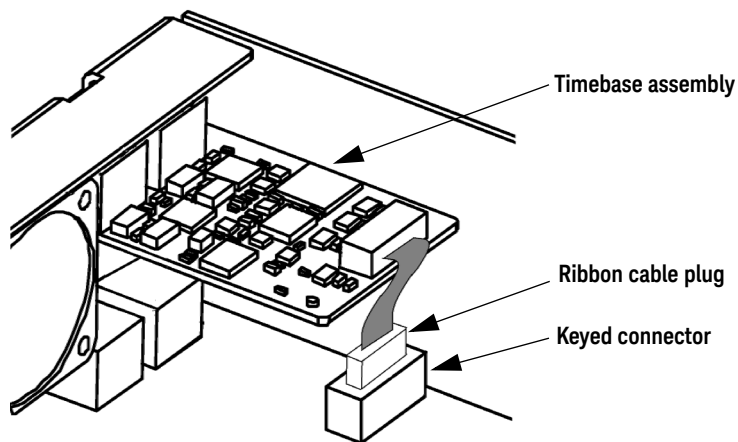
- 9 Remove the two plastic caps from the back panel.

The holes in the back panel for the “10 MHz In” and “10 MHz Out” connectors are capped in all instruments that do not have Option 001 installed. Locate the plastic caps and, from inside the chassis, compress the retention “tabs” and push each cap out through the back panel.



**10** Install the External Timebase Reference assembly.

- a** Connect the assembly's ribbon cable by plugging it into the *keyed connector* on the main board, shown in the illustration above.
- b** Insert the assembly's BNC connectors in the back panel holes, and fasten them with the hex nuts and lock washers provided. The installed assembly should be component side up, as shown below.



- c** Tighten the hex nuts with a 9/16-inch open-end or adjustable wrench to secure the assembly. *Do not overtighten*—just one-quarter turn past hand tight!

**11** Reassemble the instrument by reversing steps 1 through 8.

The Keysight 33210A is ready to use. No software updates are required. The “Option 001 only” features are now fully supported as documented in the *Keysight 33210A User's Guide*.

## Calibration

*Installing the External Timebase Reference assembly has no effect on the instrument's calibration. No recalibration is necessary unless it is time for a scheduled calibration. Refer to the *Keysight 33210A 10 MHz Function/Arbitrary Waveform Generator Service Guide* for further information about calibration.*

THIS PAGE HAS BEEN INTENTIONALLY LEFT BLANK.



This information is subject to change without notice. Always refer to the Keysight website for the latest revision.

© Keysight Technologies 2008 - 2020  
Edition 2, November 2020

Printed in Malaysia



33210-90020

[www.keysight.com](http://www.keysight.com)