

Agilent Technologies 34134A AC/DC DMM Current Probe

Product Overview

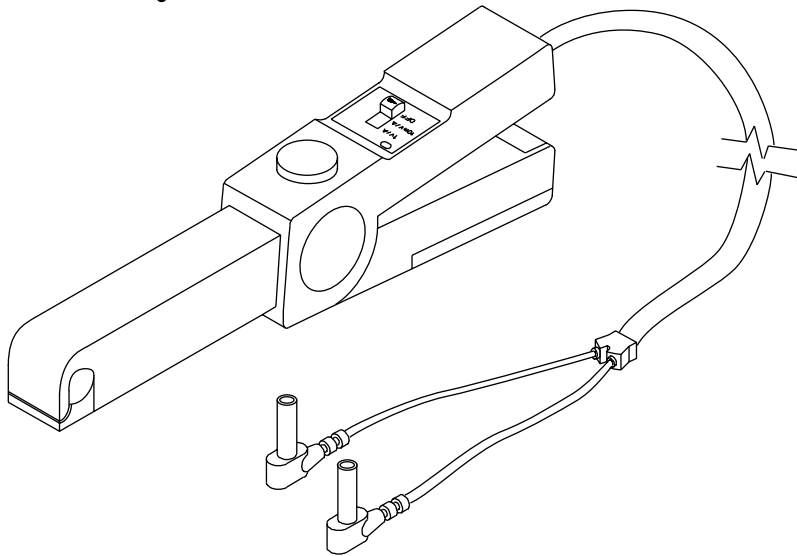
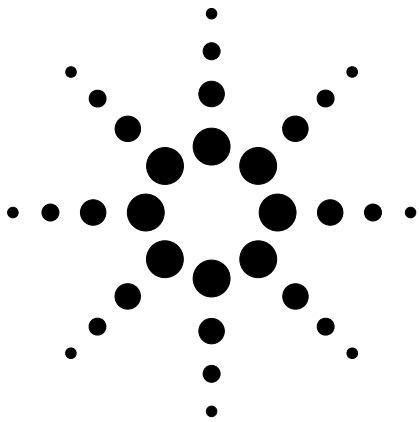


Figure 1. The Agilent 34134A AC/DC DMM current probe. The narrow jaw is designed for optimum use in crowded wiring in industrial and automotive environments.

The Agilent Technologies 34134A current probe measures low DC or AC from 10 mA to 50 A DC, 40 A AC. This battery-powered clamp-on probe can be used with digital multimeters, voltmeters, or other voltage-measuring instruments. The probe jaws clamp around the conductor under test, allowing current measurements without breaking the circuit. Hall sensor technology senses the magnetic field produced by the current measured

and generates a millivolt DC or AC output signal. The narrow jaw is designed for optimum use in crowded wiring in industrial and automotive environments.

Compatibility

The 34134A current probe is compatible with any DMM, or other voltage measuring instrument which has the following features:

- Range and resolution capable of displaying 1 mV of input.
- Voltmeter accuracy (uncertainty) of 0.75% or better to take full advantage of the accuracy of the probe.
- Minimum input impedance of 100 k Ω (1 V/A range) or 10 k Ω (10 mV/A range).
- Input jacks that accept 4mm shrouded banana plugs.



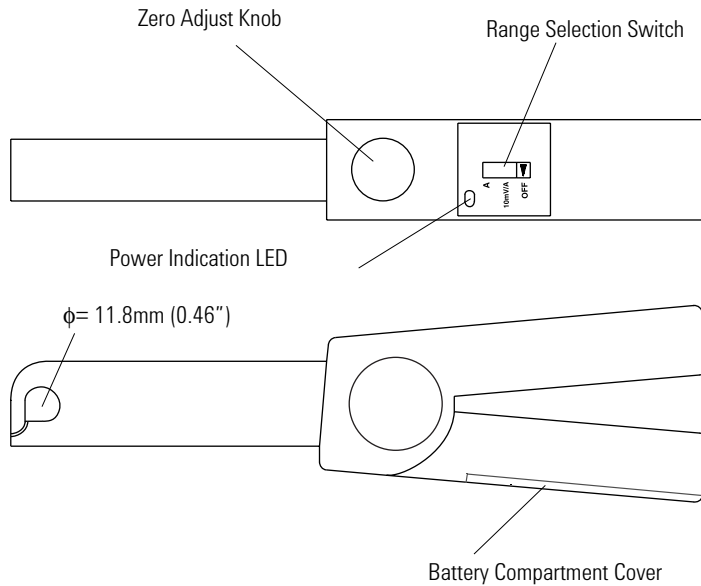


Figure 2. Agilent 34134A current probe control and connector identification

Specifications and Characteristics

Operating and environmental characteristics of the 34134A current probe are as shown below

Electrical Specifications

	1 V/A Range (1 mV/mA)	10 mV/A Range
Current Range	DC: 10 mA to 2 A AC: 10 mA to 1.5 A	DC: 100 mA to 80 A AC: 100 mA to 60 A
Output Signal (AC/DC)	1 mV/mA (2 V @ 2 A)	10 mV/A
Accuracy*	±2% reading ±5mA	500 mA to 50 A DC/40 A AC: ±4% reading ±20 mA 50 to 80A DC: ±12% reading 0 to 60A AC: ±12% reading
Frequency Range	DC to 8 kHz @ -3 dB	DC to 8 kHz
Phase Shift	DC to 65 Hz: 1°	DC to 65 Hz: 1°
Minimum Input Resistance of Instrument	100 kΩ	100 kΩ
Noise	DC to 1 Hz: 1.5 mV 1 Hz to 10 kHz: 14 mV 0 kHz to 100 kHz: 18 mV	DC to 1 Hz: 15μV 1 Hz to 10 kHz: 140μV 0 kHz to 100 kHz: 180μV
Slew Rate @ 5 A	120 mV/ μs	5.5 mV/ μs

* Accuracies are given for an ambient temperature of 23 °C ±3 °C, relative humidity of 20 to 75%, conductor centered in jaw window, probe zeroed, no hysteresis in DC, DC to 40 to 100Hz sine wave (1mV/mA range) or DC and 40 to 1 kHz sine wave (10mV/A range), 1 minute warm-up, battery at 9V, appropriate load impedance, magnetic field <40A/m and no common mode.

Typical Frequency Response Curve

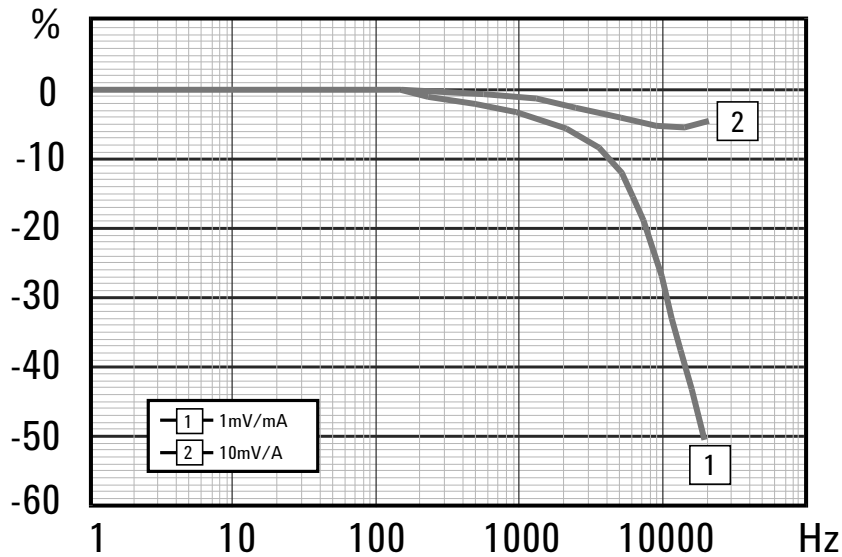


Figure 3. Voltage vs Frequency Response Curve

Environmental Characteristics

Operating Temperature	0 to 50°C
Storage Temperature	-30 to 80°C
Operating Relative Humidity	0 to 50°C, 0 to 85% relative humidity
Temperature Coefficient	800 ppm per °C +10 mA/°C typical from -10 to 50°C
Altitude	Operating: 0 to 2000 m Non-operating: 0 to 12,000 m

Mechanical Characteristics

Zero Adjustment	20 turn potentiometer
Maximum cable diameter	11.8 mm
Dimensions	67 x 231 x 36 mm
Weight	330g with battery
Color	Grey
Material	Fiberglass charged polycarbonate
Output Cable	1.5m double insulated lead with shielded banana plugs

Safety Specifications

Working voltage	600 V CAT III
Case protection	IP20 per IEC 529
Drop test	1m according to IEC 68-2-32
Mechanical shock	100 G: test per IEC 68-2-27
Vibration	Test per IEC 68-2-6 frequency range 10 Hz to 55 Hz, amplitude: 0.15mm

Agilent Technologies' Test and Measurement Support, Services, and Assistance

Agilent Technologies aims to maximize the value you receive, while minimizing your risk and problems. We strive to ensure that you get the test and measurement capabilities you paid for and obtain the support you need. Our extensive support resources and services can help you choose the right Agilent products for your applications and apply them successfully. Every instrument and system we sell has a global warranty. Support is available for at least five years beyond the production life of the product. Two concepts underlie Agilent's overall support policy: "Our Promise" and "Your Advantage."

Our Promise

Our Promise means your Agilent test and measurement equipment will meet its advertised performance and functionality. When you are choosing new equipment, we will help you with product information, including realistic performance specifications and practical recommendations from experienced test engineers. When you use Agilent equipment, we can verify that it works properly, help with product operation, and provide basic measurement assistance for the use of specified capabilities, at no extra cost upon request. Many self-help tools are available.

Your Advantage

Your Advantage means that Agilent offers a wide range of additional expert test and measurement services, which you can purchase according to your unique technical and business needs. Solve problems efficiently and gain a competitive edge by contracting with us for calibration, extra-cost upgrades, out-of-warranty repairs, and onsite education and training, as well as design, system integration, project management, and other professional engineering services. Experienced Agilent engineers and technicians worldwide can help you maximize your productivity, optimize the return on investment of your Agilent instruments and systems, and obtain dependable measurement accuracy for the life of those products.

Agilent T&M Software and Connectivity

Agilent's Test and Measurement software and connectivity products, solutions and developer network allows you to take time out of connecting your instruments to your computer with tools based on PC standards, so you can focus on your tasks, not on your connections. Visit www.agilent.com/find/connectivity for more information.

By internet, phone, or fax, get assistance with all your test & measurement needs

Phone or Fax

United States:
(tel) 800 829 4444

Canada:
(tel) 877 894 4414
(fax) 905 282 6495

China:
(tel) 800 810 0189
(fax) 800 820 2816

Europe:
(tel) (31 20) 547 2323
(fax) (31 20) 547 2390

Japan:
(tel) (81) 426 56 7832
(fax) (81) 426 56 7840

Korea:
(tel) (82 2) 2004 5004
(fax) (82 2) 2004 5115

Latin America:
(tel) (305) 269 7500
(fax) (305) 269 7599

Taiwan:
(tel) 0800 047 866
(fax) 0800 286 331

Other Asia Pacific Countries:
(tel) (65) 6375 8100
(fax) (65) 6836 0252
Email:
tm_asia@agilent.com

Online Assistance:
www.agilent.com/find/assist

Product specifications and descriptions in this document subject to change without notice.

© Agilent Technologies, Inc. 2000, 2004
Printed in USA, May 1, 2004
5968-9567E

Warranty Information

This Agilent Technologies product has a warranty against defects in material and workmanship for a period of one year from date of shipment. During the warranty period, Agilent Technologies will, at its option, either repair or replace products that prove to be defective. For warranty service or repair, this product must be returned to a service facility designated by Agilent Technologies.



Agilent Email Updates

www.agilent.com/find/emailupdates
Get the latest information on the products and applications you select.



Agilent Technologies