

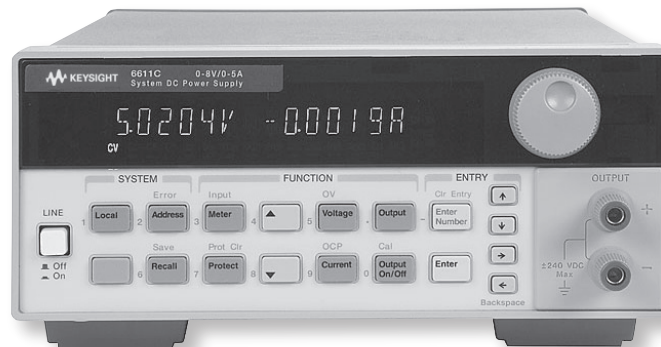
# Keysight Technologies

## 6610C Series Single-Output, 40-50 W GPIB Power Supplies

### Speed and accuracy for test optimization

- Small, compact size for bench and system use
- Fast, low-noise outputs
- Dual-range, precision low current measurement
- Built-in measurements and advanced programmable features
- Protection features to ensure DUT safety

Data Sheet



This series of linear-regulated 40-50 W DC power supplies is designed to maximize the throughput of DUTs through the manufacturing test process with fast programming and measurement, and also active downprogramming. It offers many advanced programmable features including stored states and status reporting. Programming is done using industry standard SCPI commands via the GPIB or RS-232. Test system integration is further simplified by using the VXI **plug&play** drivers. The optional relays simplify system design and troubleshooting.

The half-rack size of the 6610C series makes it a convenient DC power supply for the R&D lab bench. The built-in microamp measurement system helps the engineer to easily and accurately monitor the output voltage and current without a complicated test setup.

## Specifications

<b>Specifications</b> (at 0 ° to 55 ° unless otherwise specified)		<b>6611C</b>	<b>6612C</b>	<b>6613C</b>	<b>6614C</b>	<b>6611C-J05 Special Order Option</b>
Number of outputs		1	1	1	1	1
GPIB		Yes	Yes	Yes	Yes	Yes
Output ratings						
Voltage		0 to 8 V	0 to 20 V	0 to 50 V	0 to 100 V	0 to 10 V
Current		0 to 5 A	0 to 2 A	0 to 1 A	0 to 0.5 A	0 to 5 A
Programming accuracy at 25 °C ± 5 °C						
Voltage		5 mV	10 mV	20 mV	50 mV	5 mV
Current	0.05% +	2 mA	1 mA	0.75 mA	0.5 mA	2 mA
Ripple and noise						
20 Hz to 20 MHz; with outputs ungrounded or with either terminal grounded						
Voltage	rms	0.5 mV	0.5 mV	0.5 mV	0.5 mV	0.5 mV
	peak-to-peak	3 mV	3 mV	4 mV	5 mV	3 mV
Normal mode	rms	2 mA	1 mA	1 mA	1 mA	2 mA
DC measurement accuracy						
via GPIB or front-panel meters with respect to actual output at 25 °C ± 5 °C						
Voltage	0.03% +	2 mV	3 mV	6 mV	12 mV	2 mV
Low current range						
-20 mA to + 20 mA	0.1% +	2.5 µA	2.5 µA	2.5 µA	2.5 µA	2.5 µA
High current range						
+20 mA to + rated I	0.2% +	0.5 mA	0.25 mA	0.2 mA	0.1 mA	0.5 mA
-20 mA to - rated I	0.2% +	1.1 mA	0.85 mA	0.8 mA	0.7 mA	1.1 mA
Load regulation						
Voltage		2 mV	2 mV	4 mV	5 mV	2 mV
Current		1 mA	0.5 mA	0.5 mA	0.5 mA	1 mA
Line regulation						
Voltage		0.5 mV	0.5 mV	1 mV	1 mV	0.5 mV
Current		0.5 mA	0.5 mA	0.25 mA	0.25 mA	0.5 mA

### Transient response time

Less than 100 µs for the output to recover to its previous level (within 0.1% of the voltage rating of the supply or 20 mV, whichever is greater) following any step change in load current of up to 50% of the output current rating of the supply

<b>Supplemental Characteristics</b> (Non-warranted characteristics determined by design and useful in applying the product)		<b>6611C</b>	<b>6612C</b>	<b>6613C</b>	<b>6614C</b>	<b>6611C-J05 Special order option</b>
Average programming resolution						
Voltage		2 mV	5 mV	12.5 mV	25 mV	3 mV
Current		1.25 mA	0.5 mA	0.25 mA	0.125 mA	1.25 mA
Sink current		3 A	1.2 A	0.6 A	0.3 A	3 A

## Supplemental characteristics for all model numbers

DC floating voltage: Output terminals can be floated up to  $\pm 240$  VDC maximum from chassis ground

Remote sensing: Up to two volts dropped in each load lead. Add 2 mV to the voltage load regulation specification for each one volt change in the positive output lead due to load current change.

Command processing time: Average time required for the output voltage to begin to change following receipt of digital data is 4 ms for the power supplies connected directly to the GPIB.

Output programming response time: The rise and fall time (10/90% and 90/10%) of the output voltage is less than 2 ms. The output voltage change settles within 1 LSB (0.025% x rated voltage) of final value in less than 6 ms.

GPIB interface capabilities: IEEE-488.2, SCPI command set, and 6610A/B Series programming compatibility

Input power: (full load): 1.6 A, 100 W (6611C: 2.2 A, 120 W)

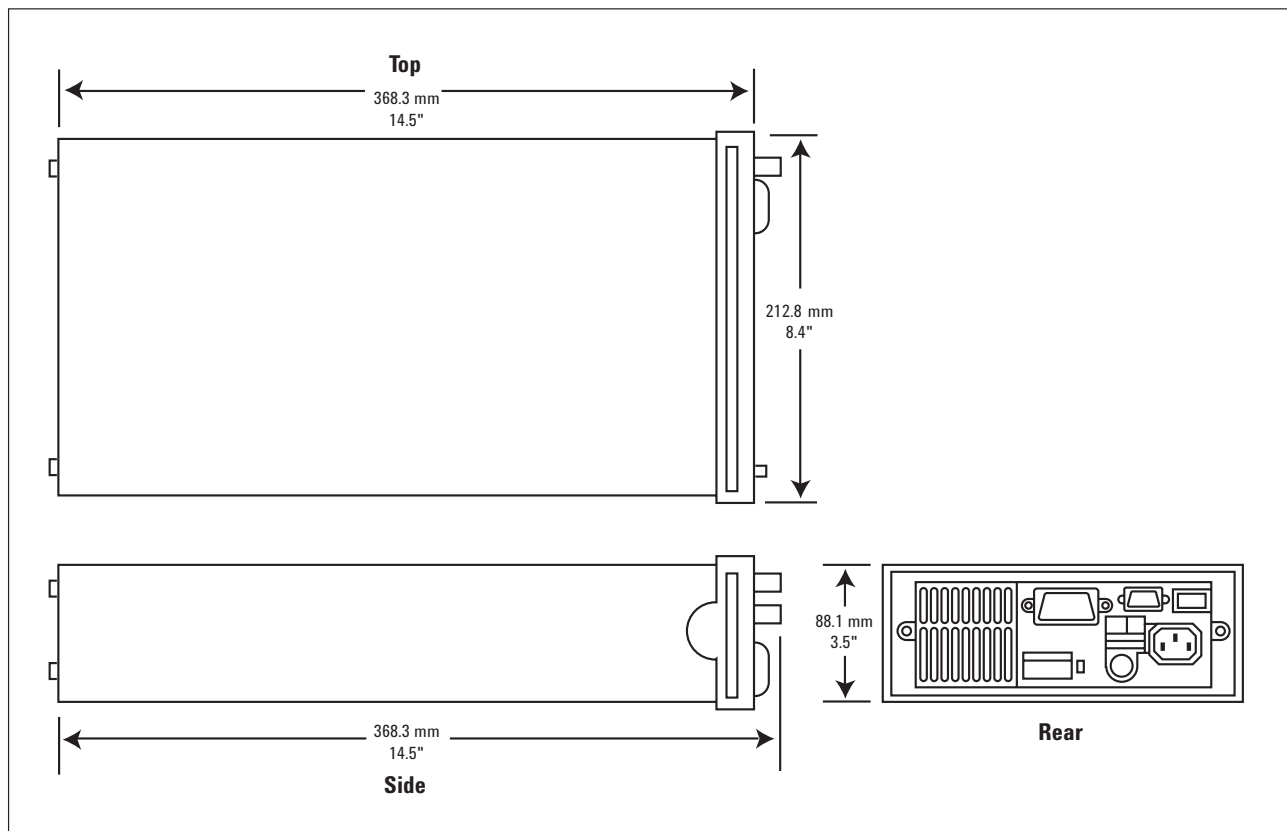
Regulatory compliance: Complies with EMC directive 89/336/EEC (ISM 1B).

Software driver: VXIplug&play

Size: 212.8 mm W x 88.1 mm H x 368.3 mm D (8.4 in x 3.5 in x 14.5 in)

Weight: 8.2 kg (18.16 lb) net; 10.6 kg (23.5 lb) shipping

Keysight Models: 6611C, 6612C, 6613C, 6614C, 6611C-J05



## Ordering information

Opt 100	87 to 106 VAC, 47 to 63 Hz
Opt 120	104 to 127 VAC, 47 to 63 Hz
Opt 220	191 to 233 VAC, 47 to 63 Hz
Opt 230	207 to 253 VAC, 47 to 63 Hz
Opt 760	Isolation and reversal relays
Opt 87J	Removes feet for use in rack system
Opt 0L1	Full documentation on CD-ROM, and printed standard documentation package. CD-ROM includes User's Guide, Programming Guide, Service Manual and Quick Start Guide
Opt 0B3	Printed service manual

### Accessories

p/n 1494-0015	Rack slide kit
E3663AC*	Support rails for Keysight rack cabinets
1CM002A*	Rack mount flange kit 88.1 mm H (2U), 1.5 inch hole space for side by side mounting of two units. Requires lock link kit (and support rails)
5061-9694	Lock link kit
1CM024A*	Rack mount flange kit 88.1 mm H (2U), one bracket, one half-module bracket, and filler panel

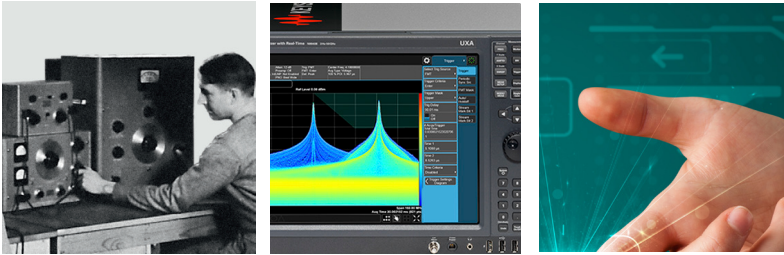
## Application notes

10 Practical Tips You Need to Know About Your Power Products, 5965-8239E  
10 Hints for Using Your Power Supply to Decrease Test Time, 5968-6359E  
Understanding Linear Power Supply Operation (AN1554), 5989-2291EN

\*Support rails required

## Evolving

Our unique combination of hardware, software, support, and people can help you reach your next breakthrough. **We are unlocking the future of technology.**



From Hewlett-Packard to Agilent to Keysight

### myKeysight

#### myKeysight

[www.keysight.com/find/mykeysight](http://www.keysight.com/find/mykeysight)

A personalized view into the information most relevant to you.

#### Three-Year Warranty

[www.keysight.com/find/ThreeYearWarranty](http://www.keysight.com/find/ThreeYearWarranty)

Keysight's committed to superior product quality and lower total cost of ownership. Keysight is the only test and measurement company with three-year warranty standard on all instruments, worldwide. And, we provide a one-year warranty on many accessories, calibration devices, systems and custom products.



#### Keysight Assurance Plans

[www.keysight.com/find/AssurancePlans](http://www.keysight.com/find/AssurancePlans)

Up to ten years of protection and no budgetary surprises to ensure your instruments are operating to specification, so you can rely on accurate measurements.



#### Keysight Channel Partners

[www.keysight.com/find/channelpartners](http://www.keysight.com/find/channelpartners)

Get the best of both worlds: Keysight's measurement expertise and product breadth, combined with channel partner convenience.

[www.keysight.com/find/6610](http://www.keysight.com/find/6610)

For more information on Keysight Technologies' products, applications or services, please contact your local Keysight office. The complete list is available at: [www.keysight.com/find/contactus](http://www.keysight.com/find/contactus)

### Americas

Canada	(877) 894 4414
Brazil	55 11 3351 7010
Mexico	001 800 254 2440
United States	(800) 829 4444

### Asia Pacific

Australia	1 800 629 485
China	800 810 0189
Hong Kong	800 938 693
India	1 800 11 2626
Japan	0120 (421) 345
Korea	080 769 0800
Malaysia	1 800 888 848
Singapore	1 800 375 8100
Taiwan	0800 047 866
Other AP Countries	(65) 6375 8100

### Europe & Middle East

Austria	0800 001122
Belgium	0800 58580
Finland	0800 523252
France	0805 980333
Germany	0800 6270999
Ireland	1800 832700
Israel	1 809 343051
Italy	800 599100
Luxembourg	+32 800 58580
Netherlands	0800 0233200
Russia	8800 5009286
Spain	800 000154
Sweden	0200 882255
Switzerland	0800 805353
	Opt. 1 (DE)
	Opt. 2 (FR)
	Opt. 3 (IT)
United Kingdom	0800 0260637

For other unlisted countries:  
[www.keysight.com/find/contactus](http://www.keysight.com/find/contactus)  
 (BP-11-30-16)



[www.keysight.com/go/quality](http://www.keysight.com/go/quality)

Keysight Technologies, Inc.  
 DEKRA Certified ISO 9001:2015  
 Quality Management System

This information is subject to change without notice.  
 © Keysight Technologies, 2012 - 2016  
 Published in USA, December 17, 2016  
 5990-9301EN

[www.keysight.com](http://www.keysight.com)



Unlocking Measurement Insights