

Keysight Technologies

E8707A Radar Target Simulator

76 GHz to 77 GHz



Overview

Fast, accurate and reliable test

Advanced Driver Assistance Systems, or ADAS, are the driving force of future road and passenger safety, and let us not forget, the future of autonomously driven vehicles. Automotive manufacturers are seeing a growing demand to add these new features for safer rides. Among the technologies driving new features is far range radar. For manufacturers of far range radar, this translates immediately to a ramp requirement in their production facility. Product test engineers are looking for a fast, accurate and reliable test solution, balancing between throughput and quality. Likewise, design and verification engineers require a quick solution to validate the performance of their radar products.

What we need is a focused tool that will accurately and repeatedly provide the required test and verification results. The Keysight E8707A radar target simulator is purpose built for exactly that need, providing reliable and fast simulation capabilities of targets for far range radar units.

Product description

The E8707A radar target simulator is designed for simulating targets for radar units in the 76 GHz to 77 GHz range. The approach from Keysight, a scalable, configurable target simulator, offered with the full simulated range from 10 m to 450 m; or with 2 fixed ranges. Available with a single horn antennae with in-built transceiver, or with dual-horn transmit and receive configuration.

Solution and implementation

The E8707A base unit will provide simulation of both the range and radar cross section. An optional signal source is required for simulation of Doppler for relative object speed. Figure 1 describes the solution in more detail.

A minimum physical distance of 1 m between the E8707A radar target simulator and the device-under-test (DUT), effectively reducing valuable manufacturing floor space (see Figure 2).

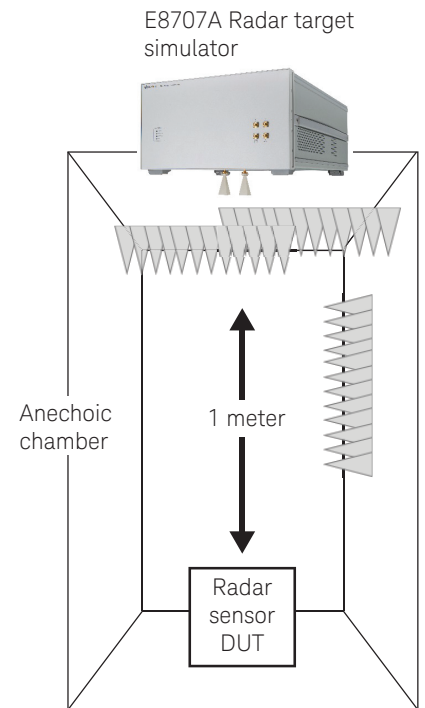


Figure 2.

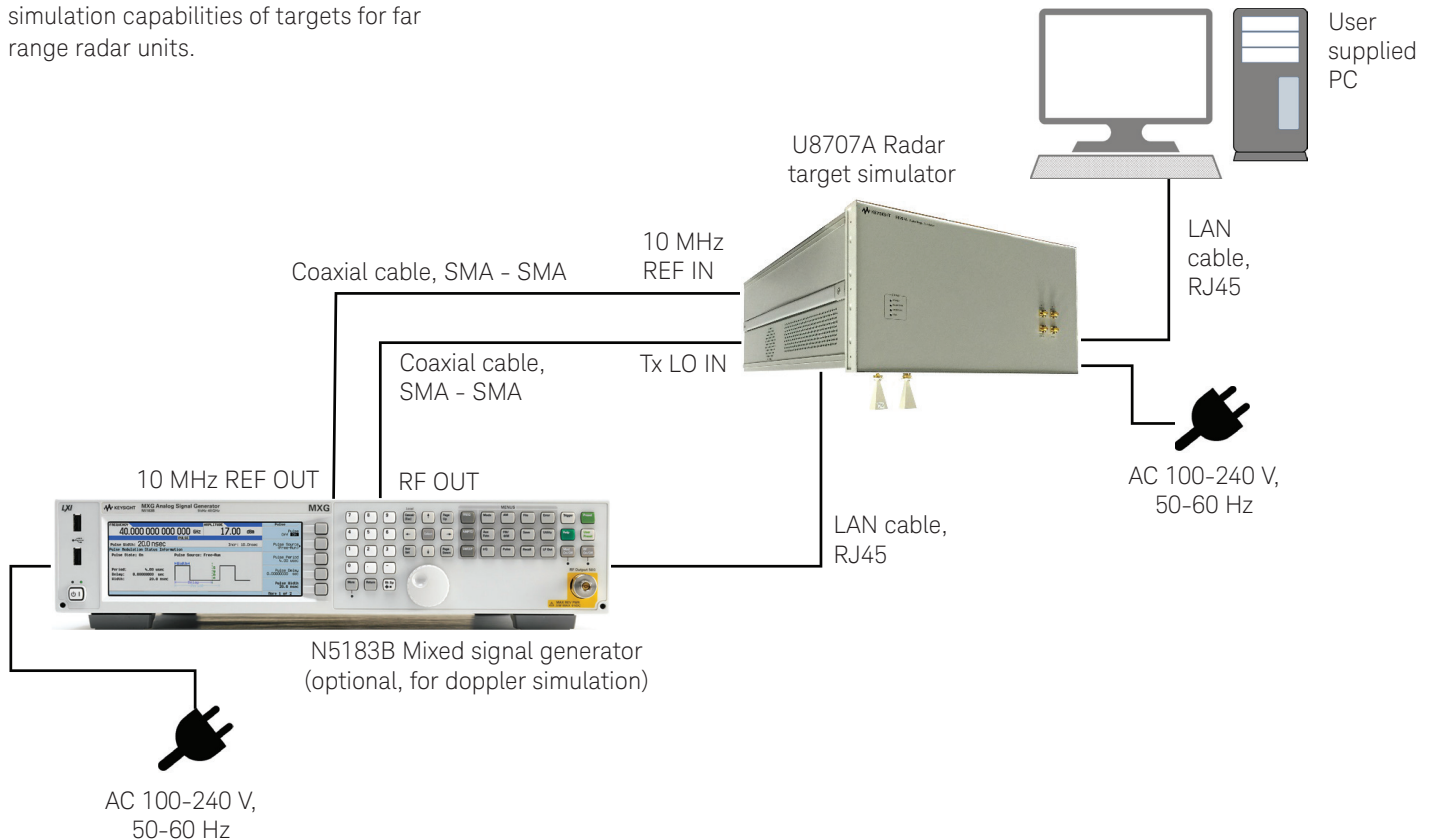


Figure 1.

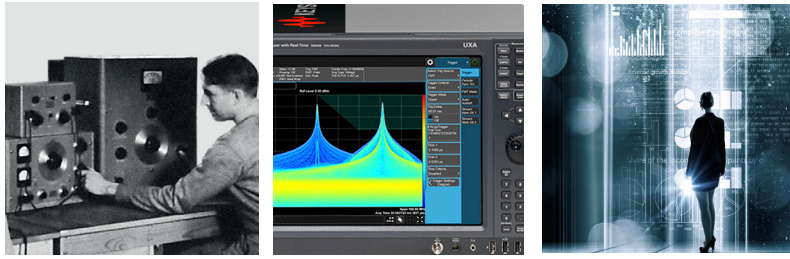
Technical Specifications

Product features	
Benefits	
Scalable solution	<ul style="list-style-type: none"> – Available in full range, or in two fixed ranges – Optional Doppler feature for simulation of target speed – Dual or single horn
Simulated range	<ul style="list-style-type: none"> – Minimum 10 m – Maximum 450 m – Range accuracy ± 1 m
Physical test distance	<ul style="list-style-type: none"> – Minimum 1 m physical distance from E8707A to device-under-test
Bandwidth	<ul style="list-style-type: none"> – 1 GHz bandwidth
Target speed simulation	<ul style="list-style-type: none"> – Doppler simulation Speed range ± 360 km/h in 0.1 km/h step
Transmit/Receive gain control	<ul style="list-style-type: none"> – 63.5 dB
Physical	
Chassis	<ul style="list-style-type: none"> – Standard EIA 5 RU height
Dimensions in mm	<ul style="list-style-type: none"> – 425 (W) 216 (H) 571 (D)
Software	
Embedded operating system	<ul style="list-style-type: none"> – Windows 7 Professional 64-bit
Included hardware drivers	<ul style="list-style-type: none"> – No driver is required, GUI is provided
Programming interface	<ul style="list-style-type: none"> – API

Evolving Since 1939

Our unique combination of hardware, software, services, and people can help you reach your next breakthrough. We are unlocking the future of technology.

From Hewlett-Packard to Agilent to Keysight.



For more information on Keysight Technologies' products, applications or services, please contact your local Keysight office. The complete list is available at: www.keysight.com/find/contactus

Americas

Canada	(877) 894 4414
Brazil	55 11 3351 7010
Mexico	001 800 254 2440
United States	(800) 829 4444

Asia Pacific

Australia	1 800 629 485
China	800 810 0189
Hong Kong	800 938 693
India	1 800 11 2626
Japan	0120 (421) 345
Korea	080 769 0800
Malaysia	1 800 888 848
Singapore	1 800 375 8100
Taiwan	0800 047 866
Other AP Countries	(65) 6375 8100

Europe & Middle East

Austria	0800 001122
Belgium	0800 58580
Finland	0800 523252
France	0805 980333
Germany	0800 6270999
Ireland	1800 832700
Israel	1 809 343051
Italy	800 599100
Luxembourg	+32 800 58580
Netherlands	0800 0233200
Russia	8800 5009286
Spain	800 000154
Sweden	0200 882255
Switzerland	0800 805353
	Opt. 1 (DE)
	Opt. 2 (FR)
	Opt. 3 (IT)
United Kingdom	0800 0260637

For other unlisted countries: www.keysight.com/find/contactus (BP-9-7-17)



www.keysight.com/go/quality
Keysight Technologies, Inc.
DEKRA Certified ISO 9001:2015
Quality Management System

myKeysight

myKeysight

www.keysight.com/find/mykeysight

A personalized view into the information most relevant to you.

http://www.keysight.com/find/emt_product_registration

Register your products to get up-to-date product information and find warranty information.

KEYSIGHT SERVICES

Accelerate Technology Adoption.
Lower costs.

Keysight Services

www.keysight.com/find/service

Keysight Services can help from acquisition to renewal across your instrument's lifecycle. Our comprehensive service offerings—one-stop calibration, repair, asset management, technology refresh, consulting, training and more—helps you improve product quality and lower costs.



Keysight Assurance Plans

www.keysight.com/find/AssurancePlans

Up to ten years of protection and no budgetary surprises to ensure your instruments are operating to specification, so you can rely on accurate measurements.

Keysight Channel Partners

www.keysight.com/find/channelpartners

Get the best of both worlds: Keysight's measurement expertise and product breadth, combined with channel partner convenience.

www.keysight.com/find/rts