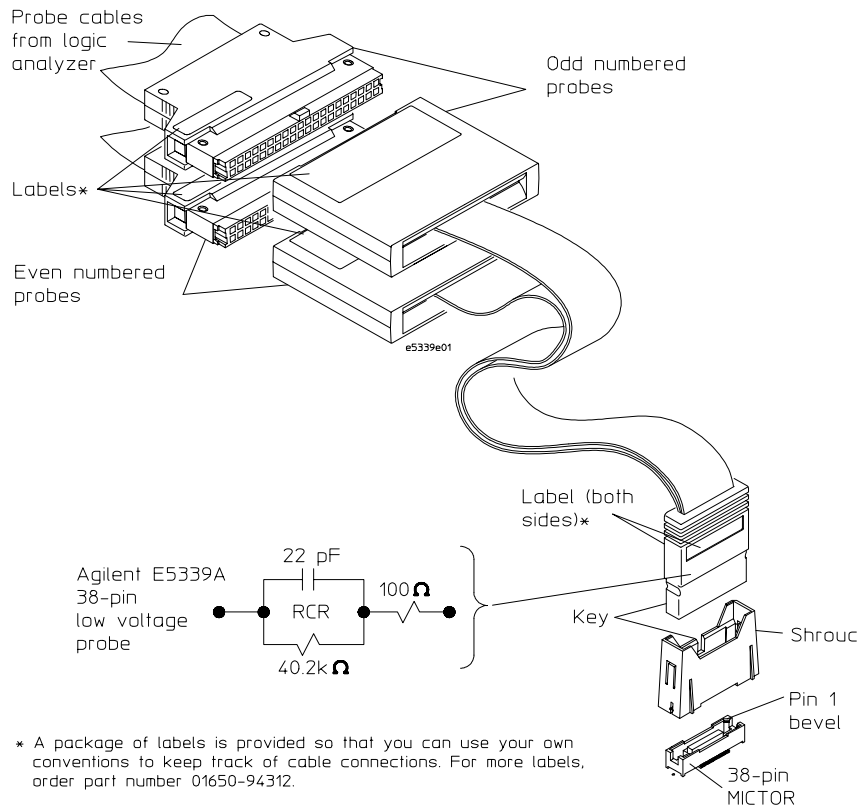


Agilent Technologies E5339A 38-Pin Low-Voltage Probe

Installation Note

The 38-pin low-voltage probe provides a convenient way to connect two Agilent Technologies logic analyzer probe cables to a small area of a target system. The Agilent E5339A probe has RCR isolation networks in the cable end that connects to the high-density AMP MICTOR (*Matched Impedance ConnectOR*) connector. It is designed to be compatible with low-amplitude digital signals, down to 250 mVpp.



Installation overview

- 1 Attach the MICTOR connector(s) to the target system. Use 38-pin surface mount receptacles, AMP part number 2-767004-2.

See Also

Refer to AMP MICTOR Application Specification 114-11004 for guidelines on soldering. This document can be downloaded from <http://connect.amp.com/AMP/docs/pdf/6/95/158596.pdf>

- 2 Align the MICTOR connector with the support shroud. Note pin 1 orientation for both the connector and the shroud.
- 3 Attach the support shroud around the MICTOR connector.

Use the following table to select the part number of the correct shroud for your board thickness. The kits listed consist of 5 MICTOR connectors and 5 support shrouds..

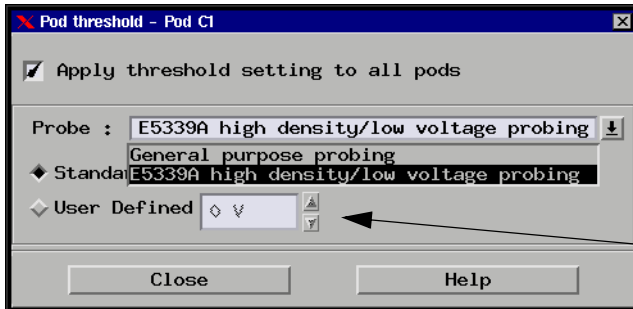
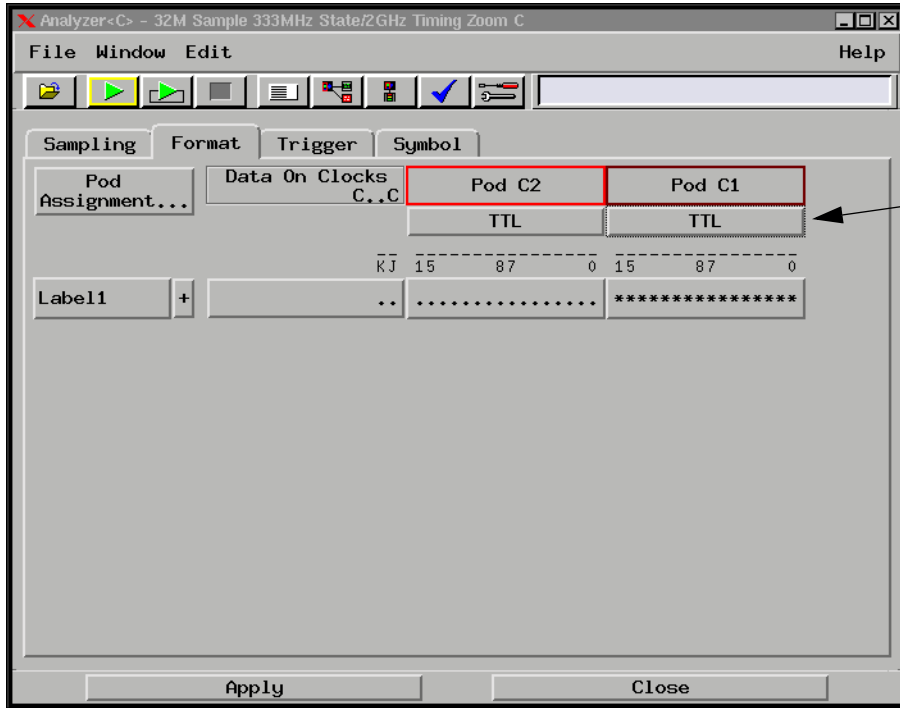
For Board Thickness	Use Support Shroud Part Number	Use Connector & Support Shroud Kit Number
Up to 1.575 mm (0.062 in.)	E5346-44701	E5346-68701
1.575 to 3.175 mm (0.062 to 0.125 in.)	E5346-44704	E5346-68700
3.175 to 4.318 mm (0.125 to 0.70 in.)	E5346-44703	None

- 4 Connect the adapter cable to the MICTOR connector and then to the logic analyzer.

Tabs on the support shroud lock the adapter cable into the MICTOR connector to provide dependable connections and prevent it from inadvertently being disconnected. They also protect the flexible end of the adapter from being bent and damaged.

- 5 Set up the E5339A probe to operate with the logic analyzer and adjust the voltage threshold. This requires 16700A/B software version A.02.20.00 or higher.

In the Format menu click TTL to get the Pod threshold menu.

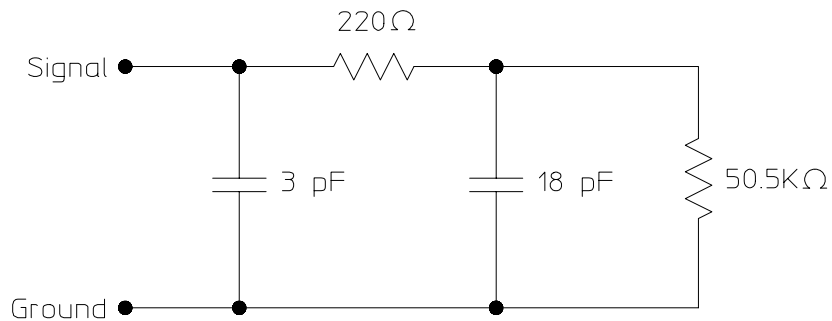


Characteristics

The following characteristics apply to the combination of the E5339A 38-pin low-voltage probe and any compatible Agilent state and timing analysis module (16557D, 16710A, 16711A, 16712A, 16715A, 16716A, 16717A, 16718A, 16719A, 16750A, 16751A, or 16752A).

Input resistance and capacitance	See equivalent probe load diagram
Minimum voltage swing	250 mV p-p
Minimum input overdrive	125 mV
Threshold range	-3 V to +3 V in 5 mV increments
Input dynamic range	+/-5 V about threshold
Maximum input voltage	+/-20 V peak CAT I (Mains isolated)

The following probe load diagram includes the logic analyzer and MICTOR connector.



e5339s01

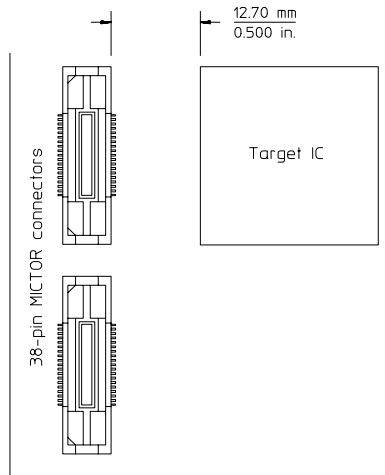
Equivalent probe load

Cleaning the probe

Clean the probe using a soft cloth that has been moistened in a mixture of mild detergent and water.

Reference

- Use the illustrations on the following pages to plan and layout your target system.

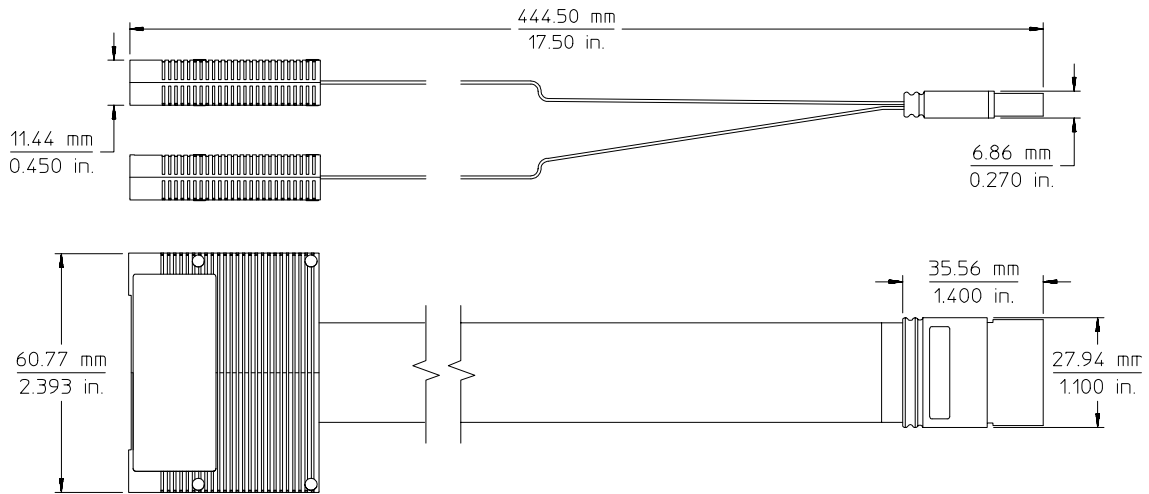


e5339e02

Example target system layout

Installation Note

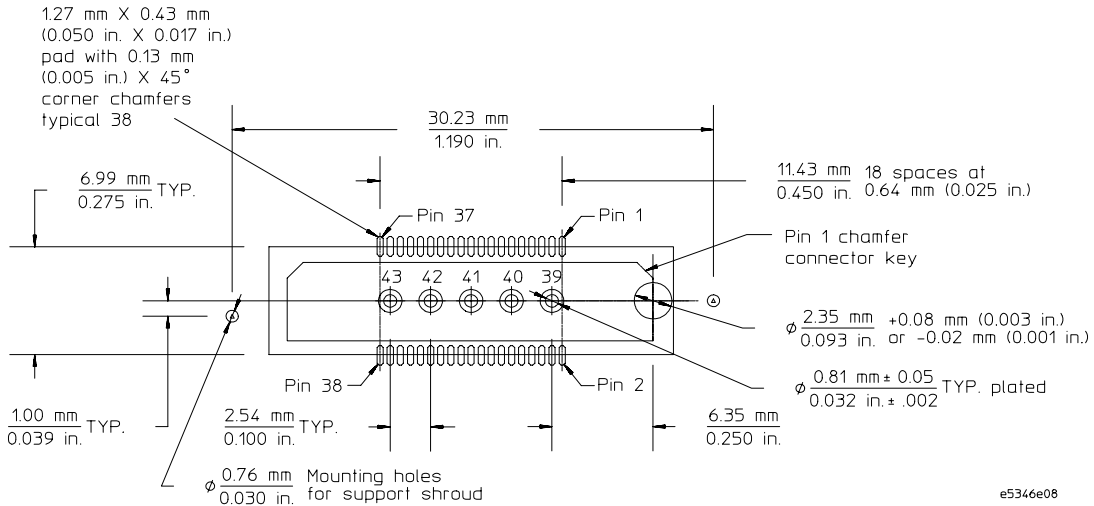
Agilent Technologies E5339A 38-Pin Low-Voltage Probe



e5346e25

38-pin low-voltage probe dimensions

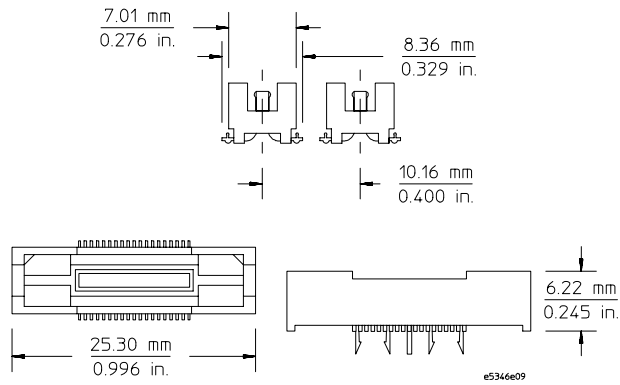
Notice the holes for mounting the support shrouds in the following illustration. One of the holes is off center to allow 0.40 in. (1.02 mm) centers when using multiple connectors.



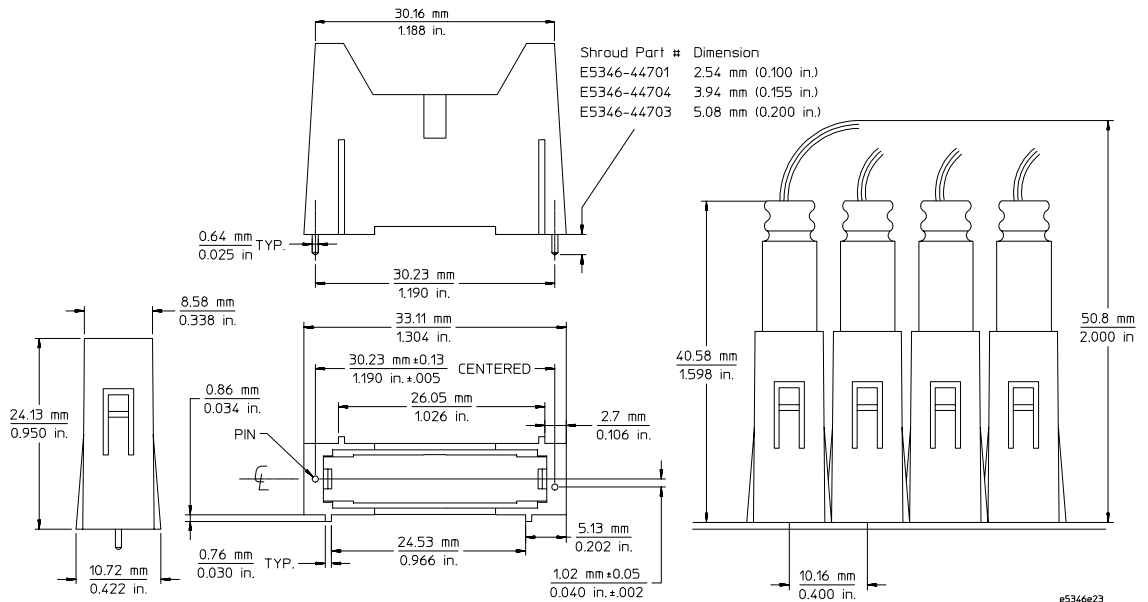
e5346e08

Board pad details of MICTOR connector and support shroud

Agilent Technologies E5339A 38-Pin Low-Voltage Probe



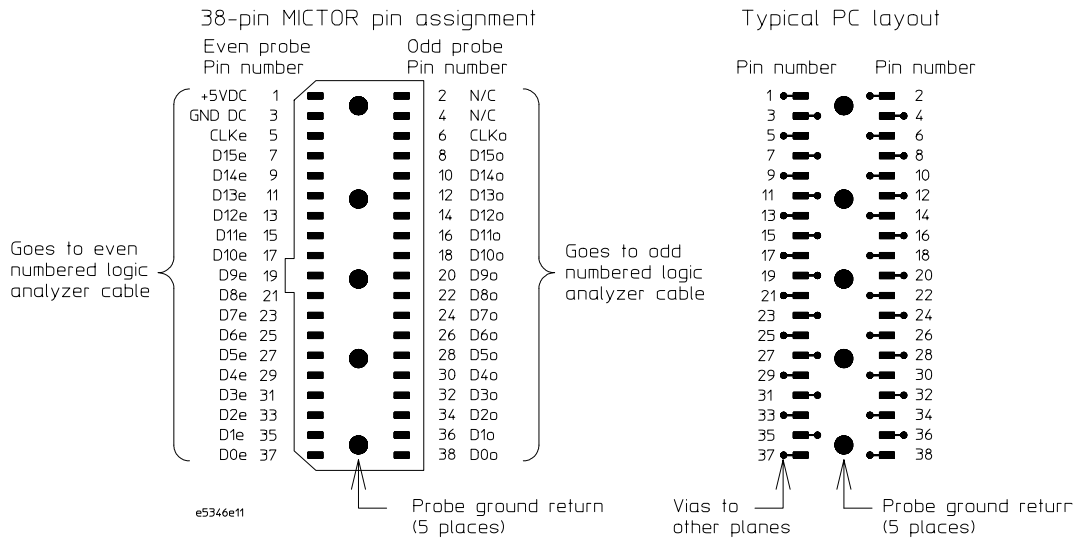
38-pin MICTOR connector dimensions



Support shroud dimensions

Installation Note

Agilent Technologies E5339A 38-Pin Low-Voltage Probe



Top view surface mount receptacle

Pin 1 and pin 3. Do not use these pins.

Pins 5, 7, 9, ... 37. These pins are even numbered logic probe inputs. CLKe is the clock probe input used in state analysis. D15e to D0e on the even side are probe data inputs.

Pin 2 and pin 4. Do not connect these pins. They are SCL and SDA, which are used by the logic analyzer with an emulator or analysis probe to program or read target information.

Pins 6, 8, 10, ... 38. These pins are odd numbered logic probe inputs. CLKo is clock probe input used in state analysis. D15o to D0o on the odd side are probe data inputs.

Grounds. There are five through-hole connections that are the ground returns for the 32 data and 2 clock probe inputs. This connection should be made to the target's digital ground plane as close to the target as possible.

Agilent Technologies E5339A 38-Pin Low-Voltage Probe

Agilent E5339A 38-Pin Low-Voltage Probe Pin Assignments			
AMP MICTOR-38 Connector		Logic Analyzer Pods	
Signal Name	Pin Number	J1 (Even Pod)	J2 (Odd Pod)
CLOCK even	5	3	
D15 even	7	7	
D14 even	9	9	
D13 even	11	11	
D12 even	13	13	
D11 even	15	15	
D10 even	17	17	
D9 even	19	19	
D8 even	21	21	
D7 even	23	23	
D6 even	25	25	
D5 even	27	27	
D4 even	29	29	
D3 even	31	31	
D2 even	33	33	
D1 even	35	35	
D0 even	37	37	
<hr/>			
CLOCK odd	6		3
D15 odd	8		7
D14 odd	10		9
D13 odd	12		11
D12 odd	14		13
D11 odd	16		15
D10 odd	18		17
D9 odd	20		19
D8 odd	22		21
D7 odd	24		23
D6 odd	26		25
D5 odd	28		27
D4 odd	30		29
D3 odd	32		31
D2 odd	34		33
D1 odd	36		35
D0 odd	38		37

Agilent Technologies E5339A 38-Pin Low-Voltage Probe

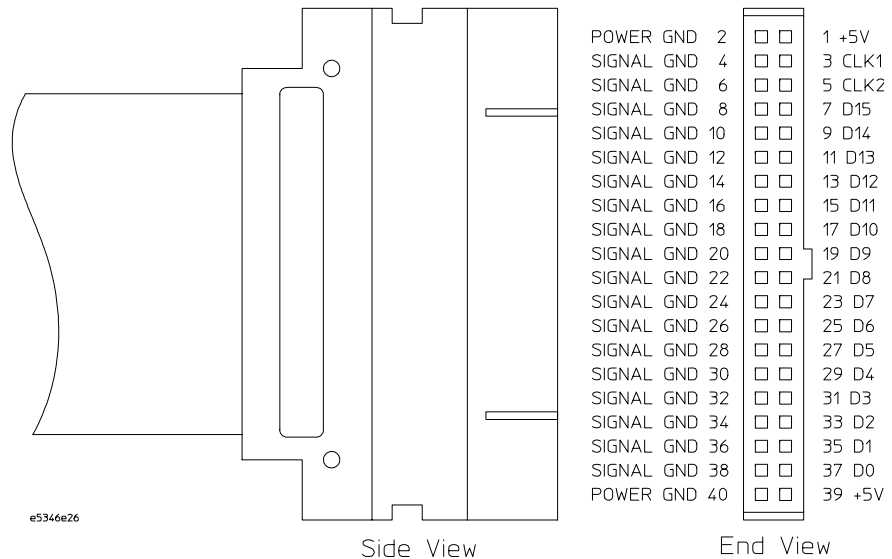
Agilent E5339A 38-Pin Low-Voltage Probe Pin Assignments			
AMP MICTOR-38 Connector		Logic Analyzer Pods	
Signal Name	Pin Number	J1 (Even Pod)	J2 (Odd Pod)
GROUND	39-43	All even pins	All even pins

These pins are +5 volt supply and DC return for analysis probes.

+5 VDC	1	1, 39	1, 39
GROUND	3	2, 40	2, 40

Do not connect the following pins. They are used by the logic analyzer with an emulator or analysis probe to program or read target information.

SCL	2		5
SDA	4	5	



Logic Analyzer Pod

© Copyright Agilent Technologies
2000-2001 All Rights Reserved.

Reproduction, adaptation, or translation without prior written permission is prohibited, except as allowed under the copyright laws.

Restricted Rights Legend

Use, duplication, or disclosure by the U.S. Government is subject to restrictions set forth in subparagraph (C) (1) (ii) of the Rights in Technical Data and Computer Software Clause in DFARS 252.227-7013. Agilent Technologies, 3000 Hanover Street, Palo Alto, CA 94304 U.S.A. Rights for non-DOD U.S. Government Departments and Agencies are set forth in FAR 52.227-19 (c) (1,2).

Document Warranty

The information contained in this document is subject to change without notice.

Agilent Technologies makes no warranty of any kind with regard to this material, including, but not limited to, the implied warranties of merchantability or fitness for a particular purpose.

Agilent Technologies shall not be liable for errors contained herein or for damages in connection with the furnishing, performance, or use of this material.

Safety

This apparatus has been designed and tested in accordance with IEC Publication 1010, Safety Requirements for Measuring Apparatus, and has been supplied in a safe condition. This is a Safety Class I instrument (provided with terminal for protective earthing). Before applying power, verify that the correct safety precautions are taken (see the following warnings). In addition, note the external markings on the instrument that are described under "Safety Symbols."

Warning

- Before turning on the instrument, you must connect the protective earth terminal of the instrument to the protective conductor of the (mains) power cord. The mains plug shall only be inserted in a socket outlet provided with a protective earth contact. You must not negate the protective action by using an extension cord (power cable) without a protective conductor (grounding). Grounding one conductor of a two-conductor outlet is not sufficient protection.
- Only fuses with the required rated current, voltage, and specified type (normal blow, time delay, etc.) should be used. Do not use repaired fuses or short-circuited fuseholders. To do so could cause a shock or fire hazard.

• Service instructions are for trained service personnel. To avoid dangerous electric shock, do not perform any service unless qualified to do so. Do not attempt internal service or adjustment unless another person, capable of rendering first aid and resuscitation, is present.

• If you energize this instrument by an auto transformer (for voltage reduction), make sure the common terminal is connected to the earth terminal of the power source.

• Whenever it is likely that the ground protection is impaired, you must make the instrument inoperative and secure it against any unintended operation.

• Do not operate the instrument in the presence of flammable gasses or fumes. Operation of any electrical instrument in such an environment constitutes a definite safety hazard.

• Do not install substitute parts or perform any unauthorized modification to the instrument.

• Capacitors inside the instrument may retain a charge even if the instrument is disconnected from its source of supply.

Safety Symbols



Instruction manual symbol: the product is marked with this symbol when it is necessary for you to refer to the instruction manual in order to protect against damage to the product.



Hazardous voltage symbol.



Earth terminal symbol: Used to indicate a circuit common connected to grounded chassis.

WARNING

The Warning sign denotes a hazard. It calls attention to a procedure, practice, or the like, which, if not correctly performed or adhered to, could result in personal injury. Do not proceed beyond a Warning sign until the indicated conditions are fully understood and met.

CAUTION

The Caution sign denotes a hazard. It calls attention to an operating procedure, practice, or the like, which, if not correctly performed or adhered to, could result in damage to or destruction of part or all of the product. Do not proceed beyond a Caution symbol until the indicated conditions are fully understood or met.

Product Warranty

This Agilent Technologies product has a warranty against defects in material and workmanship for a period of 90 days from date of shipment. During the warranty period, Agilent Technologies will, at its option, either repair or replace products that prove to be defective.

For warranty service or repair, this product must be returned to a service facility designated by Agilent Technologies.

For products returned to Agilent Technologies for warranty service, the Buyer shall prepay shipping charges to Agilent Technologies and Agilent Technologies shall pay shipping charges to return the product to the Buyer. However, the Buyer shall pay all shipping charges, duties, and taxes for products returned to Agilent Technologies from another country.

Agilent Technologies warrants that its software and firmware designated by Agilent Technologies for use with an instrument will execute its programming instructions when properly installed on that instrument. Agilent Technologies does not warrant that the operation of the instrument software, or firmware will be uninterrupted or error free.

Limitation of Warranty

The foregoing warranty shall not apply to defects resulting from improper or inadequate maintenance by the Buyer, Buyer-supplied software or interfacing, unauthorized modification or misuse, operation outside of the environmental specifications for the product, or improper site preparation or maintenance.

No other warranty is expressed or implied. Agilent Technologies specifically disclaims the implied warranties of merchantability or fitness for a particular purpose.

Exclusive Remedies

The remedies provided herein are the buyer's sole and exclusive remedies. Agilent Technologies shall not be liable for any direct, indirect, special, incidental, or consequential damages, whether based on contract, tort, or any other legal theory.

Assistance

Product maintenance agreements and other customer assistance agreements are available for Agilent Technologies products. For any assistance, contact your nearest Agilent Technologies Sales Office.

Certification

Agilent Technologies certifies that this product met its published specifications at the time of shipment from the factory. Agilent Technologies further certifies that its calibration measurements are traceable to the United States National Institute of Standards and Technology, to the extent allowed by the Institute's calibration facility, and to the calibration facilities of other International Standards Organization members.

About this edition

This is the *Agilent Technologies E5339A 30-Pin Low-Voltage Probe Installation Note*.

Publication number
E5339-92002, April 2001
Printed in USA.

Print History:

E5339-92000, September 2000
E5339-92001, November 2000

New editions are complete revisions of the manual. Many product updates do not require manual changes, and manual corrections may be done without accompanying product changes. Therefore, do not expect a one-to-one correspondence between product updates and manual updates.

UNIX is a registered trademark in the United States and other countries, licensed exclusively through X/Open Company Limited.



Agilent Part Number E5339-92002

Printed November 2000