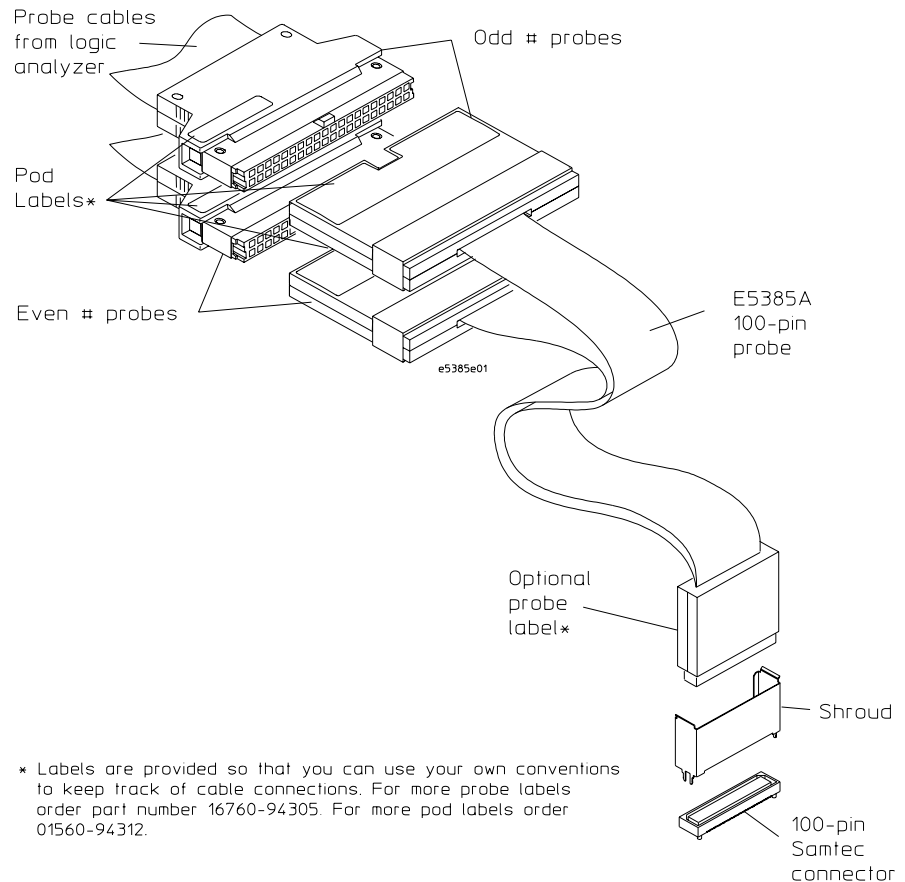

Agilent Technologies E5385A 100-Pin Probe

Installation Note

The Agilent Technologies E5385A 100-pin probe provides a convenient way to connect two Agilent Technologies logic analyzer probe cables to a small area of a target system. The probe has RCR isolation networks in the cable end that connects to the 100-pin Samtec connector.



Installation overview

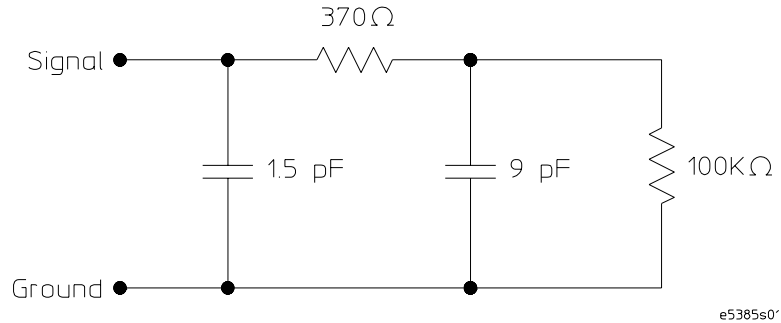
- 1** Attach the Samtec connector(s) to the target system. Use Samtec 100-pin surface mount receptacles, Agilent part number 1253-3620 or Samtec part number ASP-65067-01.
- 2** Attach the support shroud around the Samtec connector. Use Agilent part number 16760-62302 or 16760-02303.
- 3** Connect the 100-pin probe to the Samtec connector and then to the logic analyzer.

Characteristics

The following characteristics apply to the combination of the E5385A 100-pin probe and any compatible Agilent state and timing analysis module (16557D, 16710A, 16711A, 16712A, 16715A, 16716A, 16717A, 16718A, 16719A, 16750A, 16751A, or 16752A).

Input resistance and capacitance	See equivalent probe load diagram
Minimum voltage swing	500 mV p-p
Minimum input overdrive	250 mV
Threshold range	-6 V to +6 V in 10 mV increments
Input dynamic range	+/-10 V about threshold
Maximum input voltage	+/-40 V peak CAT I (Mains isolated)

The following equivalent probe load diagram includes the logic analyzer and Samtec connector.



Equivalent probe load

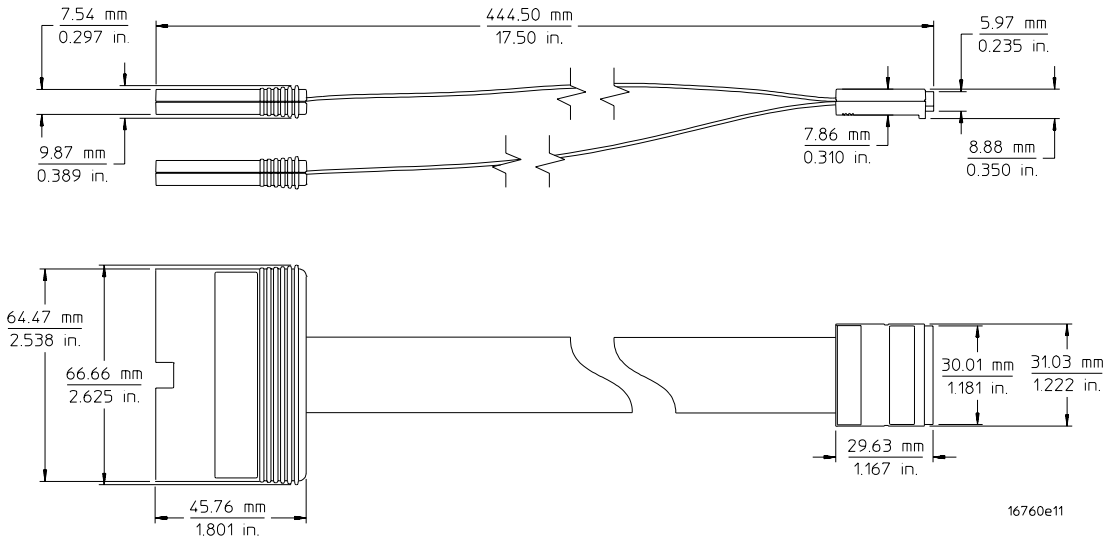
Reference

- Use the illustrations on the following pages to plan and layout your target system.

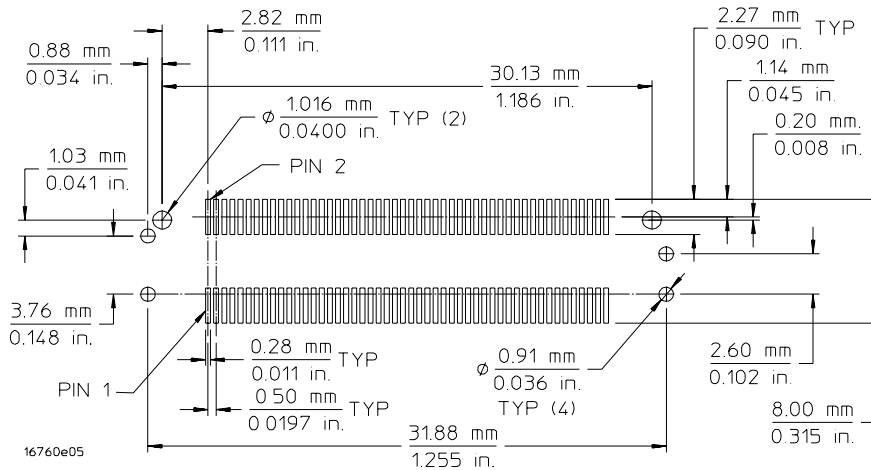
NOTE:

You may also want to refer to the Agilent documents titled *Designing High-Speed Digital Systems for Logic Analyzer Probing* and *Probing Solutions for Logic Analysis Systems*. These documents are available as pdf files or orderable from www.agilent.com. Searching them by title.

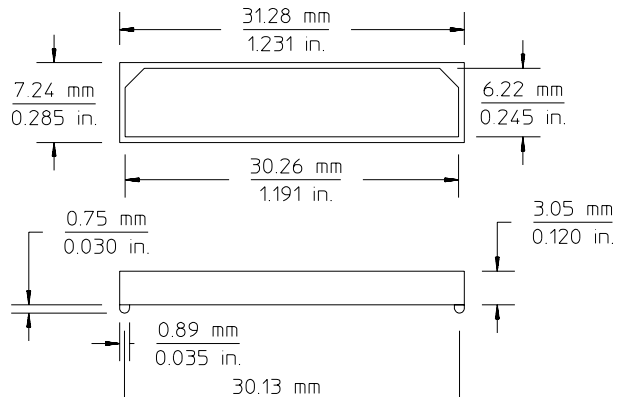
Installation Note
Agilent Technologies E5385A 100-Pin Probe



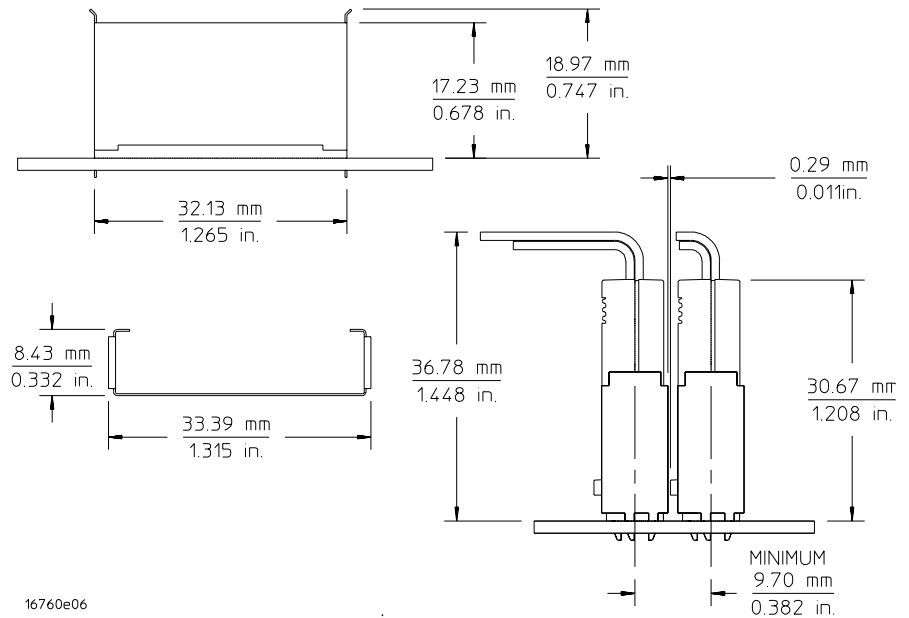
100-pin probe dimensions



Board pad details for 100-pin Samtec connector and support shroud



100-pin Samtec connector dimensions



Support shroud dimensions

Installation Note

Agilent Technologies E5385A 100-Pin Probe

Logic analyzer inputs are grouped into pods. Each pod is a group of 16 data signals and a clock signal. In state acquisition mode, the clock input, if not used as clock, may be acquired as a data signal. In timing acquisition mode, all clock inputs may be acquired by the logic analyzer.

The E5385A has two pods (groups) of signals, indicated as even and odd.

Pins 8, 12, 16, ... 68 are the even data inputs D0 through D15. Pin 80 is the even clock input, which can be assigned to a label and acquired as a data input if not used as a clock.

Pins 7, 11, 15, ... 67 are the odd data inputs D0 through D15. Pin 79 is the odd clock input, which can be assigned to a label and acquired as a data input if not used as a clock.

Pins 3 and 4 should not be connected.

Pins 97, 98, 99, and 100 provide +5V power to the analysis probes or demo boards, and should not be connected to the target system. *Do not connect these to a +5V supply in the target system.*

For best high-frequency performance, all pins labeled ground should be connected to a ground plane in the target system.

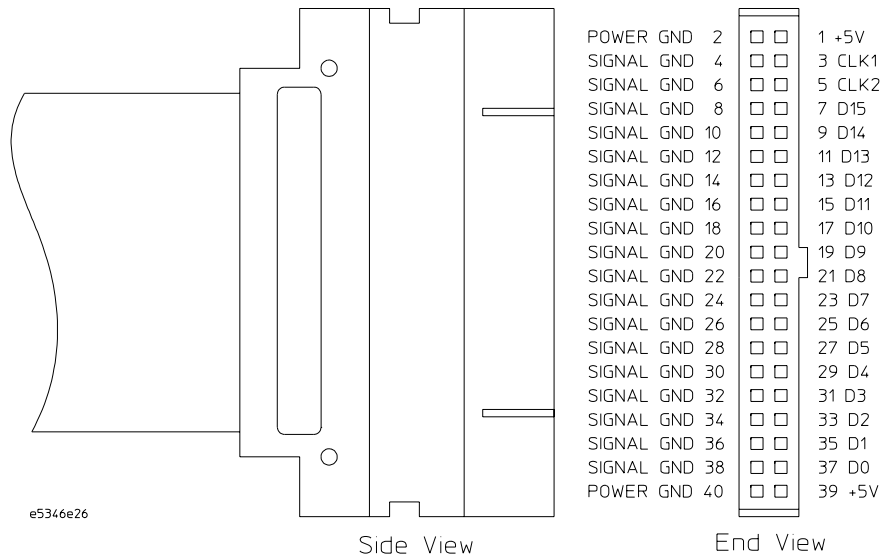
E5385A 100-Pin Probe Pin Assignments			
Signal	Pin Number	Pin Number	Signal
Ground	1	2	Ground
Do Not Connect	3	4	Do Not Connect
Ground	5	6	Ground
Odd D0	7	8	Even D0
Ground	9	10	Ground
Odd D1	11	12	Even D1
Ground	13	14	Ground
Odd D2	15	16	Even D2
Ground	17	18	Ground

E5385A 100-Pin Probe Pin Assignments			
Signal	Pin Number	Pin Number	Signal
Odd D3	19	20	Even D3
Ground	21	22	Ground
Odd D4	23	24	Even D4
Ground	25	26	Ground
Odd D5	27	28	Even D5
Ground	29	30	Ground
Odd D6	31	32	Even D6
Ground	33	34	Ground
Odd D7	35	36	Even D7
Ground	37	38	Ground
Odd D8	39	40	Even D8
Ground	41	42	Ground
Odd D9	43	44	Even D9
Ground	45	46	Ground
Odd D10	47	48	Even D10
Ground	49	50	Ground
Odd D11	51	52	Even D11
Ground	53	54	Ground
Odd D12	55	56	Even D12
Ground	57	58	Ground
Odd D13	59	60	Even D13
Ground	61	62	Ground
Odd D14	63	64	Even D14
Ground	65	66	Ground
Odd D15	67	68	Even D15
Ground	69	70	Ground
NC	71	72	NC
Ground	73	74	Ground
NC	75	76	NC
Ground	77	78	Ground
Odd D16P/Odd CLK	79	80	Even D16P/Even CLK
Ground	81	82	Ground
NC	83	84	NC
Ground	85	86	Ground

Installation Note

Agilent Technologies E5385A 100-Pin Probe

E5385A 100-Pin Probe Pin Assignments			
Signal	Pin Number	Pin Number	Signal
NC	87	88	NC
Ground	89	90	Ground
NC	91	92	NC
Ground	93	94	Ground
Ground	95	96	Ground
+5V	97	98	+5V
+5V	99	100	+5V



Logic analyzer pod

Safety Notices

This apparatus has been designed and tested in accordance with IEC Publication 1010, Safety Requirements for Measuring Apparatus, and has been supplied in a safe condition. This is a Safety Class I instrument (provided with terminal for protective earthing). Before applying power, verify that the correct safety precautions are taken (see the following warnings). In addition, note the external markings on the instrument that are described under "Safety Symbols."

Warnings

- Before turning on the instrument, you must connect the protective earth terminal of the instrument to the protective conductor of the (mains) power cord. The mains plug shall only be inserted in a socket outlet provided with a protective earth contact. You must not negate the protective action by using an extension cord (power cable) without a protective conductor (grounding). Grounding one conductor of a two-conductor outlet is not sufficient protection.
- Only fuses with the required rated current, voltage, and specified type (normal blow, time delay, etc.) should be used. Do not use repaired fuses or short-circuited fuseholders. To do so could cause a shock or fire hazard.
- If you energize this instrument by an auto transformer (for voltage reduction or mains isolation), the common terminal must be connected to the earth terminal of the power source.
- Whenever it is likely that the

ground protection is impaired, you must make the instrument inoperative and secure it against any unintended operation.

- Service instructions are for trained service personnel. To avoid dangerous electric shock, do not perform any service unless qualified to do so. Do not attempt internal service or adjustment unless another person, capable of rendering first aid and resuscitation, is present.
- Do not install substitute parts or perform any unauthorized modification to the instrument.
- Capacitors inside the instrument may retain a charge even if the instrument is disconnected from its source of supply.
- Do not operate the instrument in the presence of flammable gasses or fumes. Operation of any electrical instrument in such an environment constitutes a definite safety hazard.
- Do not use the instrument in a manner not specified by the manufacturer.

To clean the instrument

If the instrument requires cleaning: (1) Remove power from the instrument. (2) Clean the external surfaces of the instrument with a soft cloth dampened with a mixture of mild detergent and water. (3) Make sure that the instrument is completely dry before reconnecting it to a power source.

Safety Symbols



Instruction manual symbol: the product is marked with this symbol when it is necessary for you to refer to the instruction manual in order to protect against damage to the product..



Hazardous voltage symbol.



Earth terminal symbol: Used to indicate a circuit common connected to grounded chassis.

Notices

© Agilent Technologies, Inc. 2001-2002

No part of this manual may be reproduced in any form or by any means (including electronic storage and retrieval or translation into a foreign language) without prior agreement and written consent from Agilent Technologies, Inc. as governed by United States and international copyright laws.

Manual Part Number

E5385-92001, February 2002

Print History

E5385-92001, February 2002

E5385-92000, June 2001

Agilent Technologies, Inc.
1601 California Street
Palo Alto, CA 94304 USA

Restricted Rights Legend

If software is for use in the performance of a U.S. Government prime contract or subcontract, Software is delivered and licensed as "Commercial computer software" as defined in DFAR 252.227-7014 (June 1995), or as a "commercial item" as defined in FAR 2.101(a) or as "Restricted computer software" as defined in FAR 52.227-19 (June 1987) or any equivalent agency regulation or contract clause. Use, duplication or disclosure of Software is subject to Agilent Technologies' standard commercial license terms, and non-DOD Departments and Agencies of the U.S. Government will receive no greater than Restricted Rights as defined in FAR 52.227-19(c)(1-2) (June 1987). U.S. Government users will receive no greater than Limited Rights as defined in FAR 52.227-14 (June 1987) or DFAR 252.227-7015 (b)(2) (November 1995), as applicable

in any technical data.

Document Warranty

The material contained in this document is provided "as is," and is subject to being changed, without notice, in future editions. Further, to the maximum extent permitted by applicable law, Agilent disclaims all warranties, either express or implied, with regard to this manual and any information contained herein, including but not limited to the implied warranties of merchantability and fitness for a particular purpose. Agilent shall not be liable for errors or for incidental or consequential damages in connection with the furnishing, use, or performance of this document or of any information contained herein. Should Agilent and the user have a separate written agreement with warranty terms covering the material in this document that conflict with these terms, the warranty terms in the separate agreement shall control.

Technology Licenses

The hardware and/or software described in this document are furnished under a license and may be used or copied only in accordance with the terms of such license.

WARNING

A WARNING notice denotes a hazard. It calls attention to an operating procedure, practice, or the like that, if not correctly performed or adhered to, could result in personal injury or death. Do not proceed beyond a WARNING notice until the indicated conditions are fully understood and met.

CAUTION

A CAUTION notice denotes a hazard. It calls attention to an operating procedure, practice, or the like that, if not correctly performed or adhered to, could result in damage to the product or loss of important data. Do not proceed beyond a CAUTION notice until the indicated conditions are fully understood and met.

Trademark Acknowledgements

UNIX is a registered trademark of the Open Group.



Agilent Part Number E5385-92001

Printed in the USA

February 2002