



**Agilent N5470A
90000 Series
Oscilloscope Rack
Mount Kit**

Installation Guide

Notices

© Agilent Technologies, Inc. 2005, 2007

No part of this manual may be reproduced in any form or by any means (including electronic storage and retrieval or translation into a foreign language) without prior agreement and written consent from Agilent Technologies, Inc. as governed by United States and international copyright laws.

Manual Part Number

N5470-92000, December 2007

Edition

N5470-92000, December 2007

Printed in Malaysia

Agilent Technologies, Inc.
395 Page Mill Road
Palo Alto, CA 94303 USA

Warranty

The material contained in this document is provided “as is,” and is subject to being changed, without notice, in future editions. Further, to the maximum extent permitted by applicable law, Agilent disclaims all warranties, either express or implied, with regard to this manual and any information contained herein, including but not limited to the implied warranties of merchantability and fitness for a particular purpose. Agilent shall not be liable for errors or for incidental or consequential damages in connection with the furnishing, use, or performance of this document or of any information contained herein. Should Agilent and the user have a separate written agreement with warranty terms covering the material in this document that conflict with these terms, the warranty terms in the separate agreement shall control.

Technology Licenses

The hardware and/or software described in this document are furnished under a license and may be used or copied only in accordance with the terms of such license.

Restricted Rights Legend

If software is for use in the performance of a U.S. Government prime contract or subcontract, Software is delivered and licensed as “Commercial computer software” as defined in DFAR 252.227-7014 (June 1995), or as a “commercial item” as defined in FAR 2.101(a) or as “Restricted computer software” as defined in FAR 52.227-19 (June 1987) or any equivalent agency regulation or contract clause. Use, duplication or disclosure of Software is subject to Agilent Technologies’ standard commercial license terms, and non-DOD Departments and Agencies of the U.S. Government will receive no greater than Restricted Rights as

defined in FAR 52.227-19(c)(1-2) (June 1987). U.S. Government users will receive no greater than Limited Rights as defined in FAR 52.227-14 (June 1987) or DFAR 252.227-7015 (b)(2) (November 1995), as applicable in any technical data.

Safety Notices

CAUTION

A **CAUTION** notice denotes a hazard. It calls attention to an operating procedure, practice, or the like that, if not correctly performed or adhered to, could result in damage to the product or loss of important data. Do not proceed beyond a **CAUTION** notice until the indicated conditions are fully understood and met.

WARNING

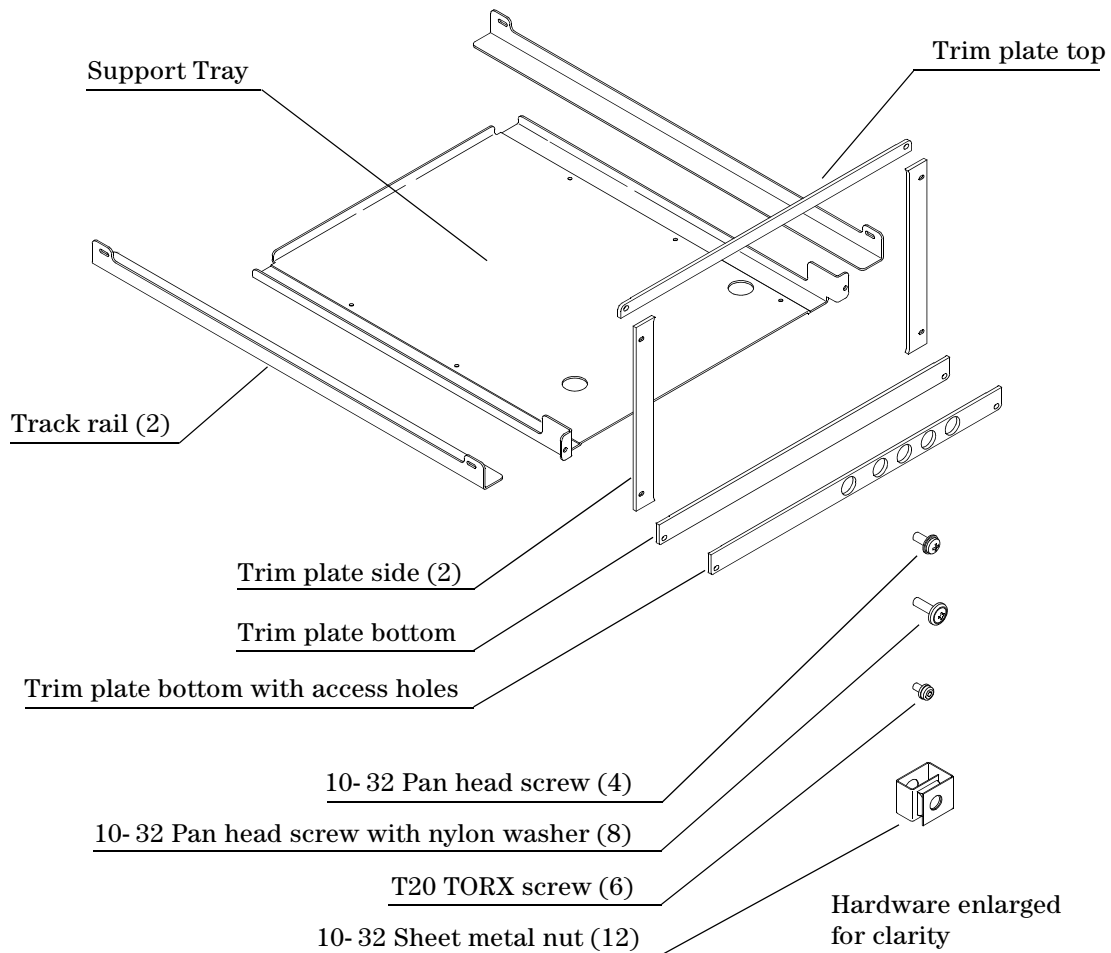
A **WARNING** notice denotes a hazard. It calls attention to an operating procedure, practice, or the like that, if not correctly performed or adhered to, could result in personal injury or death. Do not proceed beyond a **WARNING** notice until the indicated conditions are fully understood and met.

In This Guide...

This guide contains instructions for installing the 90000 Series Oscilloscope Rack Mount Kit. The rack mount kit provides a support shelf and hardware for mounting Agilent 90000 Series oscilloscopes into Electronic Industries Association (EIA) standard 19-inch (487-mm) rack cabinets.

Included Parts

The rackmount kit includes the following parts:

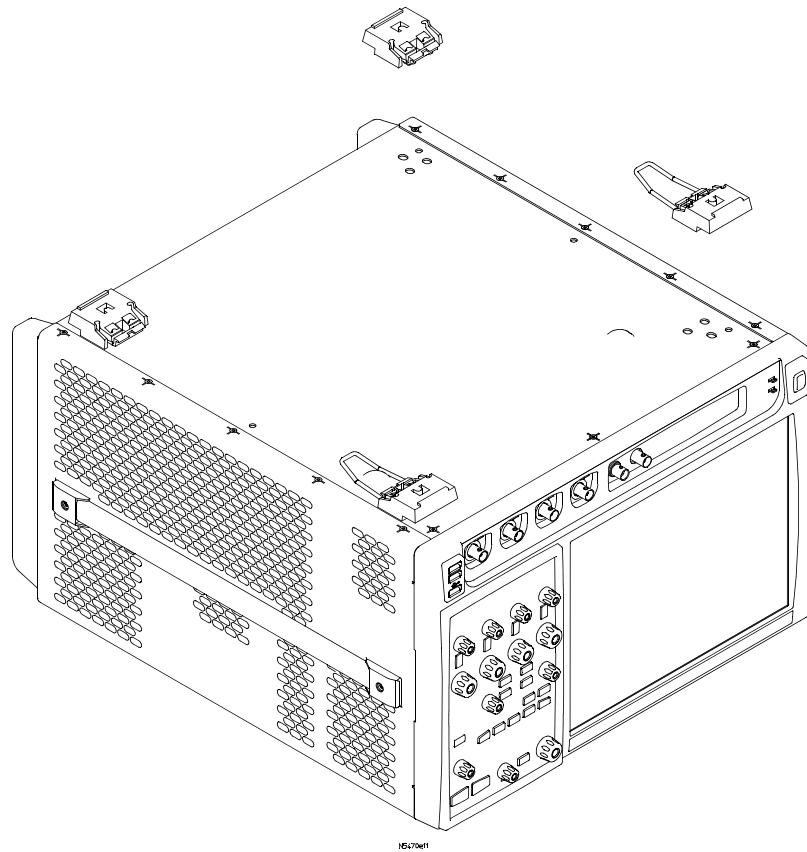


Installation

You will need the following tools to install the rackmount kit: T20 TORX driver, and a #2 Phillips screwdriver.

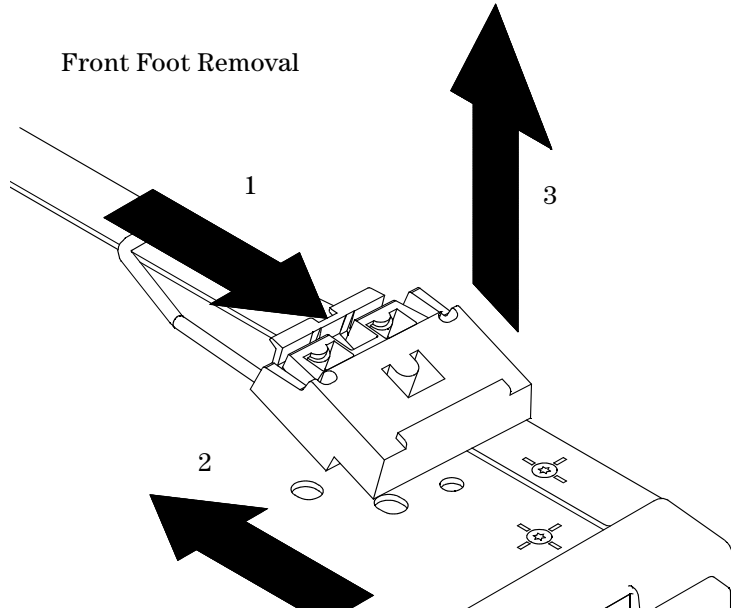
Attach the oscilloscope to the support shelf

- 1 Place oscilloscope upside down so that the feet can be removed. This will expose support tray mounting holes.

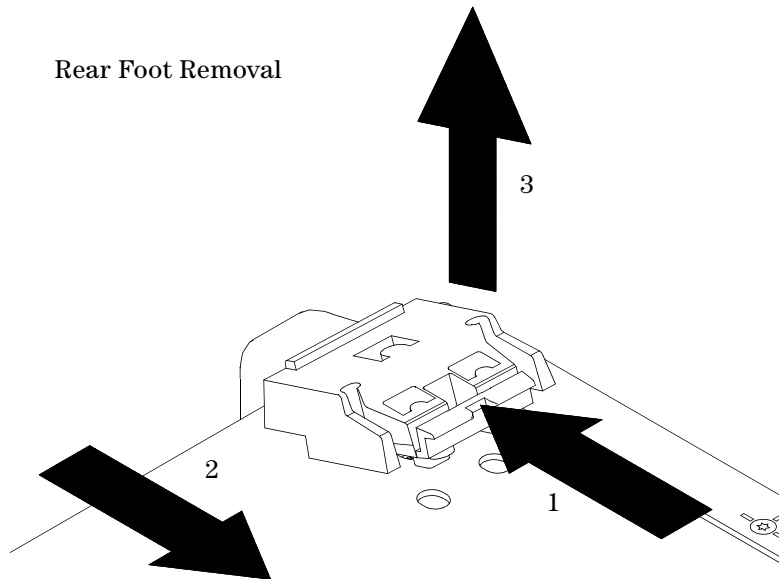


- 2 Grasp feet firmly and squeeze tab in the directions shown (1), slide (2) and lift off (3).

Front Foot Removal

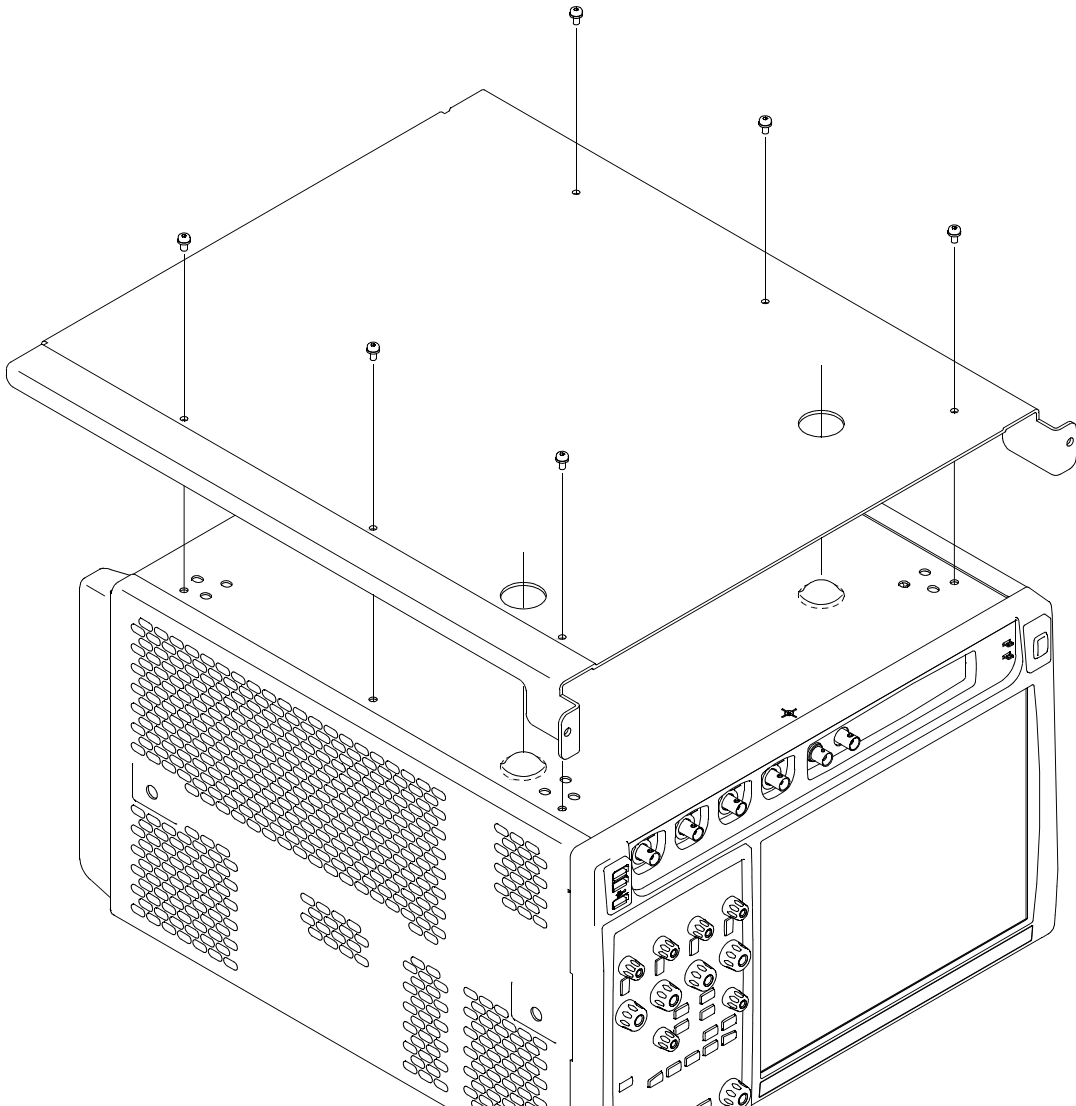


Rear Foot Removal



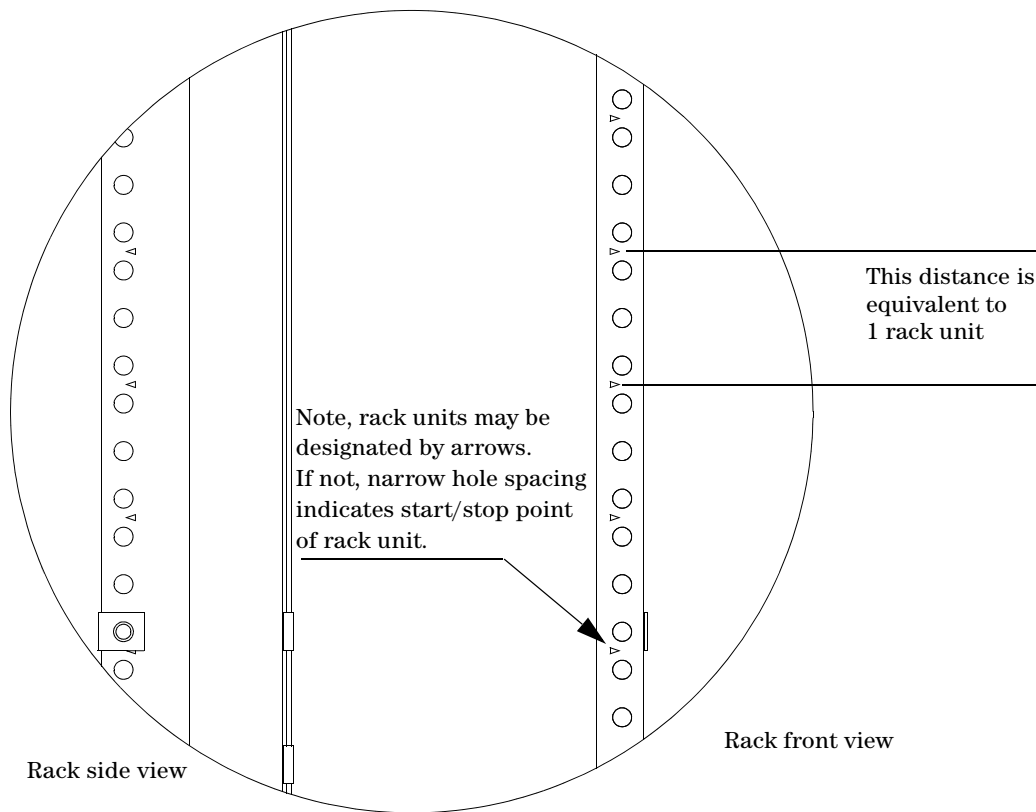
Installation

- 3 Once all feet have been removed, attach support tray to the bottom of the oscilloscope by aligning the 6 mounting holes on the support tray with the matching mounting holes on the bottom of the oscilloscope as shown. Secure the support tray with the 6 T20 TORX screws (supplied).

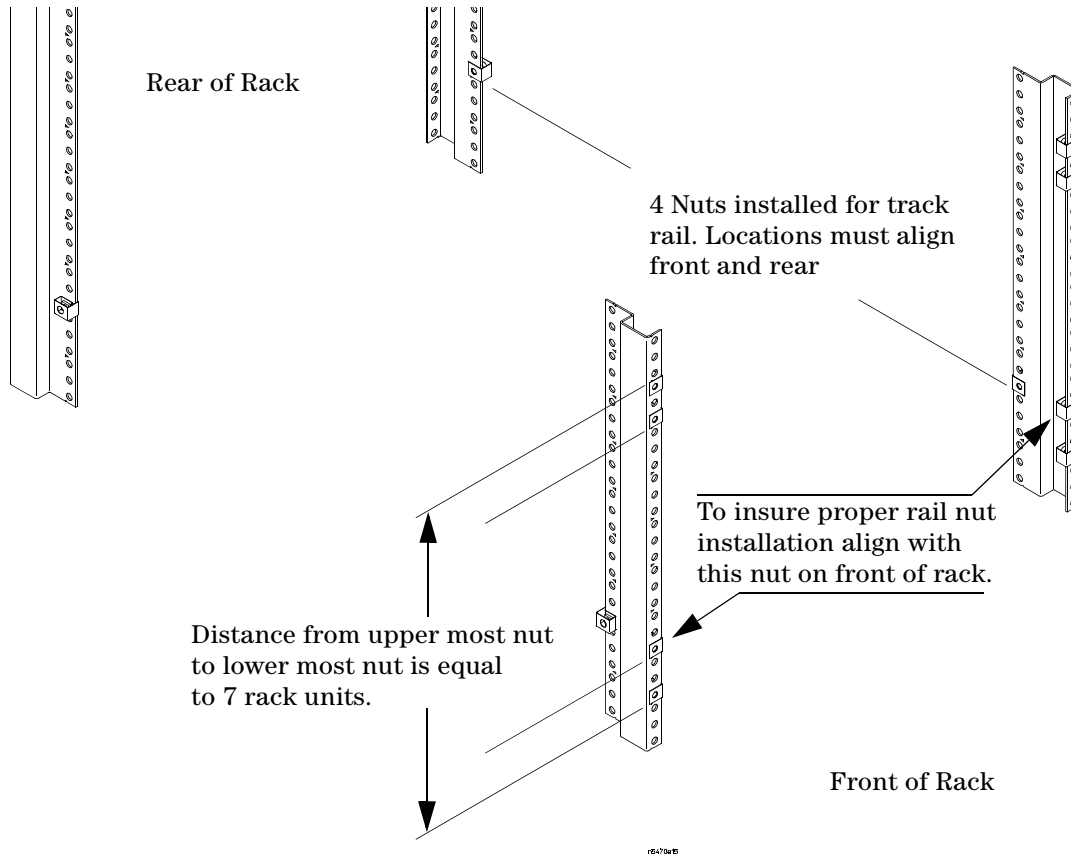


Preparing the Rack

- 4 To prepare the rack for sheet metal nut installation 7 rack mount units must be designated for use. The diagram below shows how to determine a rack unit.

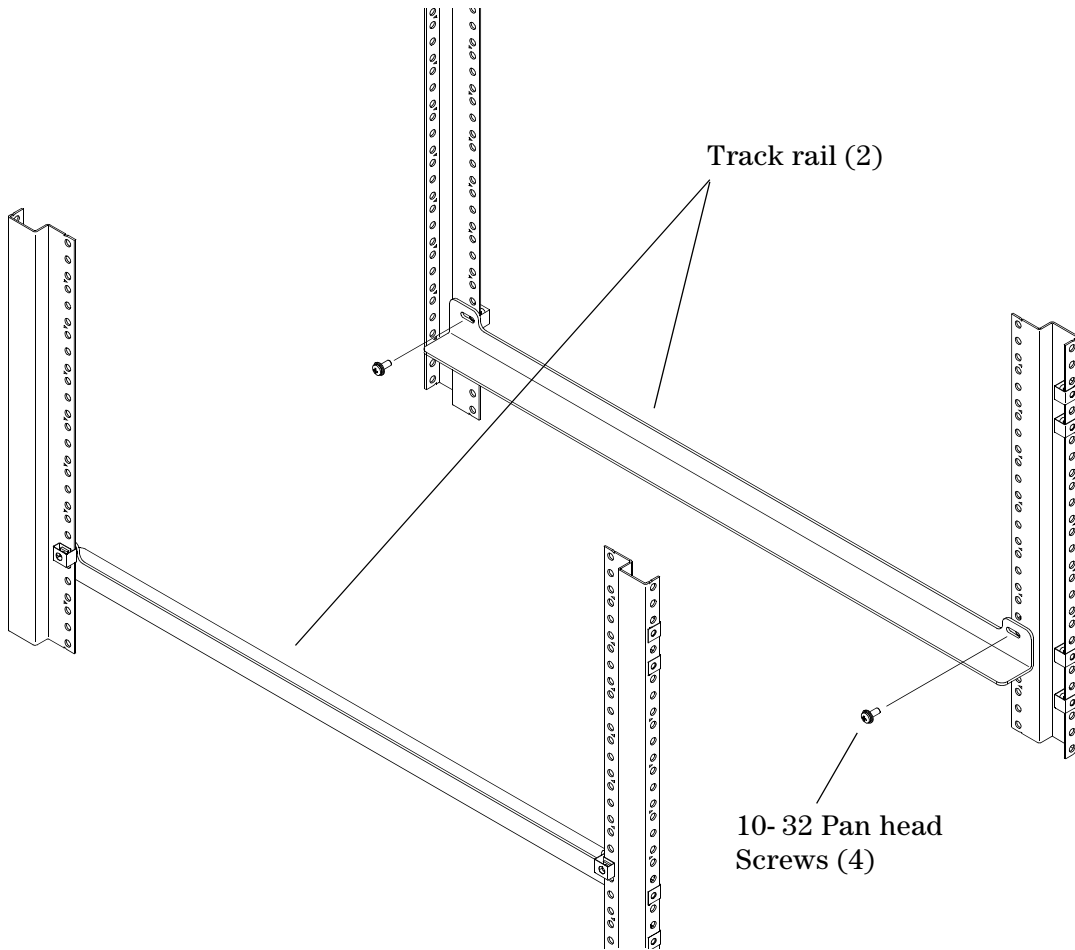


Installation



- 5 The above graphic indicates proper locations for sheet metal nut locations. Note to insure a level installation, the same 7 rack unit locations are used on each vertical rack piece.

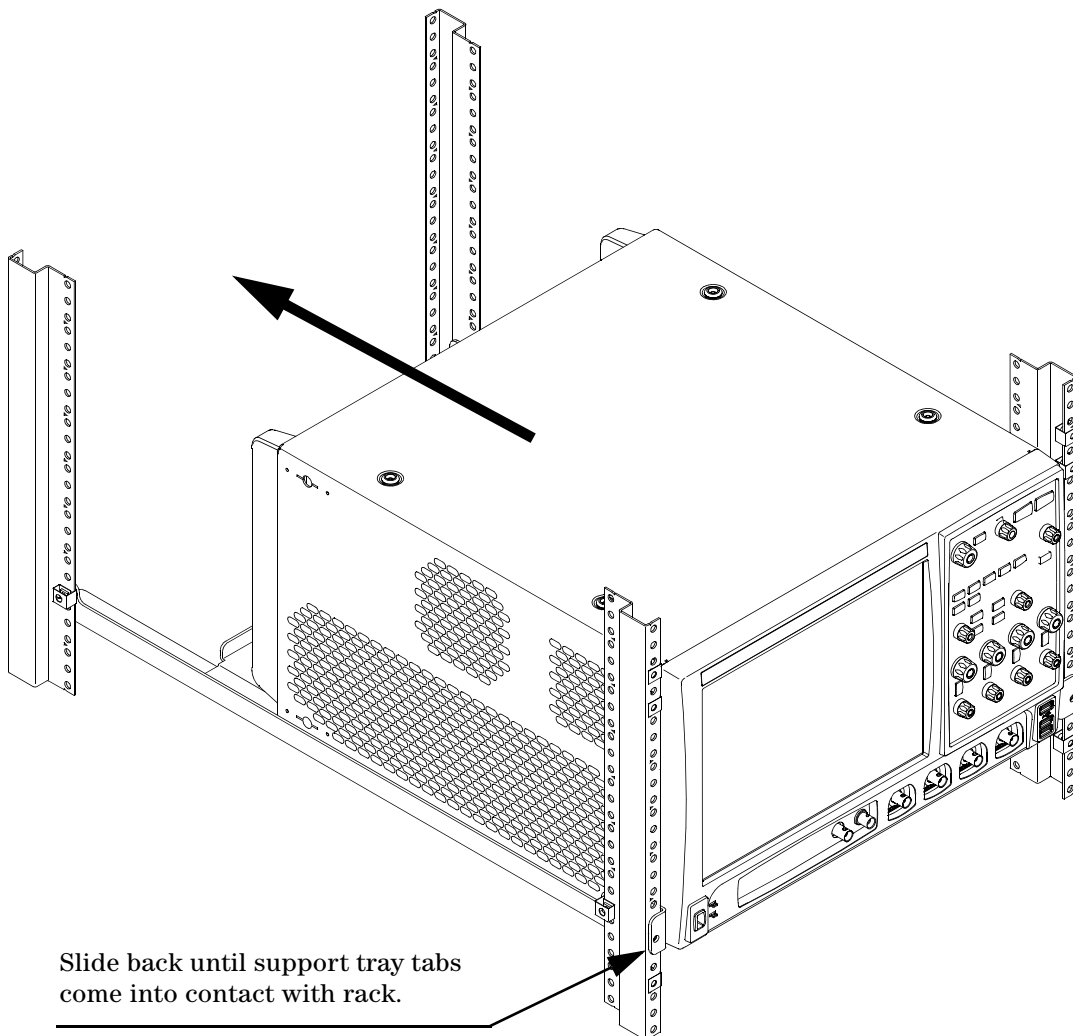
- 6 Install track rails to rack using the 4 10-32 panhead screws provided.



Installation

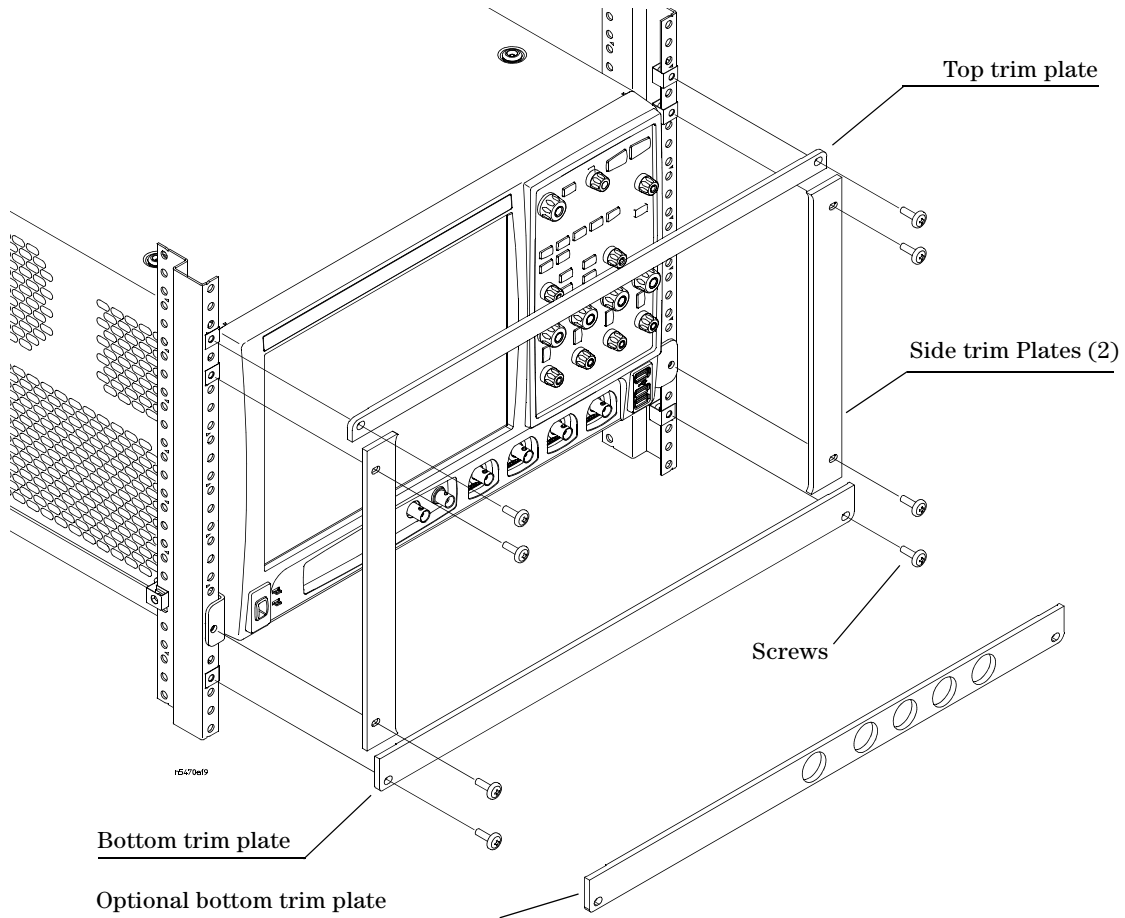
Installing the Oscilloscope into the rack

- 7 Carefully place oscilloscope (with support tray attached) onto track rails. Push unit to the rear of the rack until support tray tabs are against rack.



Attaching trim plates

- 8 Attach trim plates using the 8 10-32 pan head screws that have nylon washers supplied. An optional bottom trim plate with cabling egress holes is provided.



- 9 This completes the installation of the 90000 series rack mount assembly.

Installation

Agilent Technologies
Printed in the Malaysia

Manual Part Number
N5470-92000

