

Keysight 81595B

Modular Optical Switches

[Data Sheet](#)



Introduction

The Keysight Technologies, Inc. 81595B 1x4 optical switch module is available for both single-mode and multimode fiber applications. These can be used in all Keysight 816x Lightwave mainframes and support automation while improving measurement repeatability. The multimode switch has excellent mode fidelity.

- 81595B Option 009: 1x4 switch for single-mode fiber
- 81595B Option 062: 1x4 switch for multimode fiber

Key Features

| | | |
|---|---|------------------------|
| Wide wavelength range | Single mode | 1270 nm to 1670 nm |
| | Multimode | 700 nm to 1400 nm |
| Excellent repeatability | ±0.030 dB (maximum variation over 10,000 random cycles) | |
| Low insertion loss | Single mode | 2.0 dB, < 1.25 dB typ. |
| | Multimode | 2.0 dB, < 1.0 dB typ. |
| Connector types | Single mode | FC/APC (narrow keying) |
| | Multimode | FC/PC straight |
| Modular design, allowing up to 17 switches in one mainframe | | |



The 1 x 4 optical switch has four positions:

Modular Design for Solution Platform

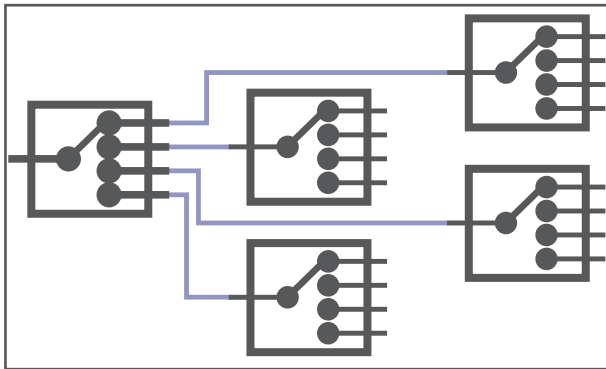
These modules enable manufacturers of optical and network components to automate their processes by routing optical signals when testing devices such as line cards, amplifiers, and active and passive components. Adding modular optical switches to this instrument platform allows flexible and cost effective all-in-one solutions to be developed for optical component test in automated test environments.

Switching Reduces Uncertainty from Connections and Eases

Test Automation

These modular switches can be used to avoid repeated reconnections during your measurements and are critical to automated procedures. The low IL and PDL and high repeatability assure minimum impact of the switch on measurement accuracy.

Switching can be performed from the button on the module, from the mainframe interface and via GPIB control. The compact form and high performance allow combining switches for multistage setups, like five 1x4 modules.



Modal Fidelity for Multimode Fiber Systems

Signals in multimode fibers are distributed over a range of mode groups that can have different loss and delay in a link. For dependable multimode transceiver testing, the instrument used to set the power level should not change this modal distribution. The Keysight multimode switches are designed with very short collimated paths between fiber, so signals propagate in practically the same distribution as through uninterrupted multimode fiber.

Modular Optical Switch Specifications

| 81595B | | |
|----------------------------------|--|--------------------------------------|
| Switch type | 1 x 4 | |
| Fiber interface | # 009 single mode | # 062 multimode |
| Fiber type | 9/125 μ m SMF | 62.5/125 μ m MMF |
| Connectivity | FC/APC - R angled | FC/PC straight |
| Wavelength range | 1270 nm to 1670 nm | 700 nm to 1400 nm |
| Insertion loss | < 2.0 dB, < 1.25 dB typ. ⁴ | < 2.0 dB, < 1.0 dB typ. ¹ |
| Polarization dependent loss | typ. 0.07 dBpp | NA |
| Repeatability ² | \pm 0.03 dB | \pm 0.03 dB ¹ |
| Return loss | typ. 55 dB | typ. 20 dB |
| Crosstalk | typ. -70 dB | typ. -70 dB |
| Switching time | < 10 ms | |
| Lifetime | > 10 million cycles | |
| Maximum input power | \pm 20 dBm | |
| Dimensions (H x W x D) | 75 mm x 32 mm x 335 mm (2.9" x 1.3" X 13.2") | |
| Weight | 0.5 kg | |
| Operating temperature | 10 °C to 45 °C | |
| Storage temperature ⁵ | -40 °C to 70 °C | |
| Humidity | Non-condensing | |
| Warm-up time | 30 min. | |

1. Specification is typical with 50/125 μ m multimode fiber.
2. Worst case measurement deviation over 10,000 random switching cycles.
3. For λ = 1550 nm; for 1270 nm < λ < 1670 nm add 0.3 dB.
4. For λ = 1550 nm; for 1270 nm < λ < 1670 nm add 0.6 dB.
5. Allow minimum acclimatization of 2 hours if previously stored outside operating temperature range before turning on the module.

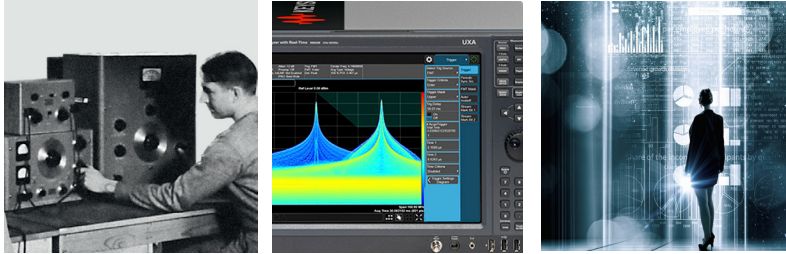
Ordering information:

- Modules for single mode fiber interface: #009
- Modules for multimode fiber interface: #062

Evolving Since 1939

Our unique combination of hardware, software, services, and people can help you reach your next breakthrough. We are unlocking the future of technology.

From Hewlett-Packard to Agilent to Keysight.



For more information on Keysight Technologies' products, applications or services, please contact your local Keysight office. The complete list is available at:

www.keysight.com/find/contactus

Americas

| | |
|---------------|------------------|
| Canada | (877) 894 4414 |
| Brazil | 55 11 3351 7010 |
| Mexico | 001 800 254 2440 |
| United States | (800) 829 4444 |

Asia Pacific

| | |
|--------------------|----------------|
| Australia | 1 800 629 485 |
| China | 800 810 0189 |
| Hong Kong | 800 938 693 |
| India | 1 800 11 2626 |
| Japan | 0120 (421) 345 |
| Korea | 080 769 0800 |
| Malaysia | 1 800 888 848 |
| Singapore | 1 800 375 8100 |
| Taiwan | 0800 047 866 |
| Other AP Countries | (65) 6375 8100 |

Europe & Middle East

| | |
|----------------|---------------|
| Austria | 0800 001122 |
| Belgium | 0800 58580 |
| Finland | 0800 523252 |
| France | 0805 980333 |
| Germany | 0800 6270999 |
| Ireland | 1800 832700 |
| Israel | 1 809 343051 |
| Italy | 800 599100 |
| Luxembourg | +32 800 58580 |
| Netherlands | 0800 0233200 |
| Russia | 8800 5009286 |
| Spain | 800 000154 |
| Sweden | 0200 882255 |
| Switzerland | 0800 805353 |
| | Opt. 1 (DE) |
| | Opt. 2 (FR) |
| | Opt. 3 (IT) |
| United Kingdom | 0800 0260637 |

For other unlisted countries:

www.keysight.com/find/contactus
(BP-9-7-17)

myKeysight

myKeysight

www.keysight.com/find/mykeysight

A personalized view into the information most relevant to you.

http://www.keysight.com/find/emt_product_registration

Register your products to get up-to-date product information and find warranty information.

KEYSIGHT SERVICES

Accelerate Technology Adoption.
Lower costs.

Keysight Services

www.keysight.com/find/service

Keysight Services can help from acquisition to renewal across your instrument's lifecycle. Our comprehensive service offerings—one-stop calibration, repair, asset management, technology refresh, consulting, training and more—helps you improve product quality and lower costs.



Keysight Assurance Plans

www.keysight.com/find/AssurancePlans

Up to ten years of protection and no budgetary surprises to ensure your instruments are operating to specification, so you can rely on accurate measurements.

Keysight Channel Partners

www.keysight.com/find/channelpartners

Get the best of both worlds: Keysight's measurement expertise and product breadth, combined with channel partner convenience.

www.keysight.com/comms/lightwave



www.keysight.com/go/quality

Keysight Technologies, Inc.
DEKRA Certified ISO 9001:2015
Quality Management System



This information is subject to change without notice.

© Keysight Technologies, 2017
Published in USA, December 2, 2017
5989-1287EN
www.keysight.com