

Keysight Technologies

11667L Power Splitter

DC-2 GHz, BNC, 50 ohm



Technical Overview

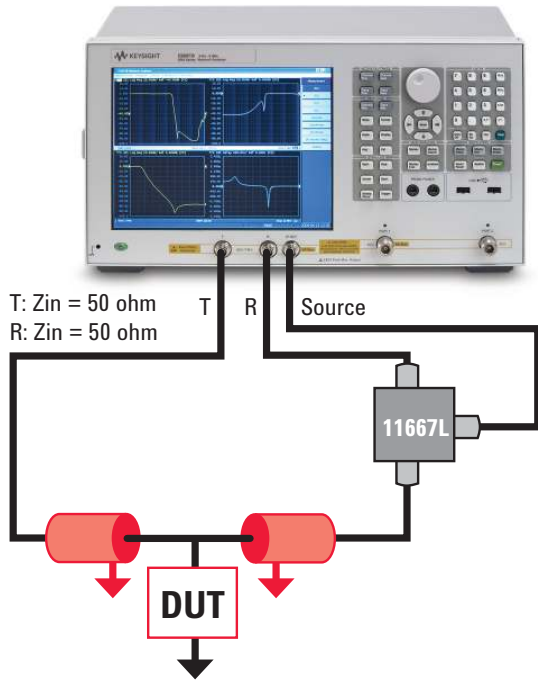
Key Features

- Excellent amplitude (0.2 dB) and phase tracking ($\pm 3^\circ$) ensures highly accurate power splitting
- Low SWR minimizes measurement uncertainty

The Keysight Technologies, Inc. 11667L is a 50 ohm two-resistor type power splitter with BNC connectors. The 11667L provides exceptional amplitude and phase tracking for highly accurate power splitting. Offering excellent output power symmetry between the two output ports, the 11667L is recommended for applications that require external source leveling and ratio measurements by using the E5061B network analyzer (at its gain-phase test port), and for other legacy network/gain-phase analyzers that do not have built-in power splitters or directional bridges.

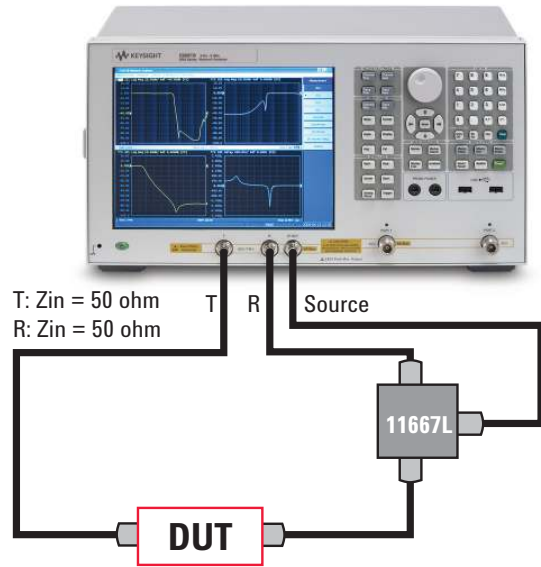
Application examples Network Measurements

Milliohm impedance measurements with shunt-thru method (DC-DC converters, large bypass capacitors)

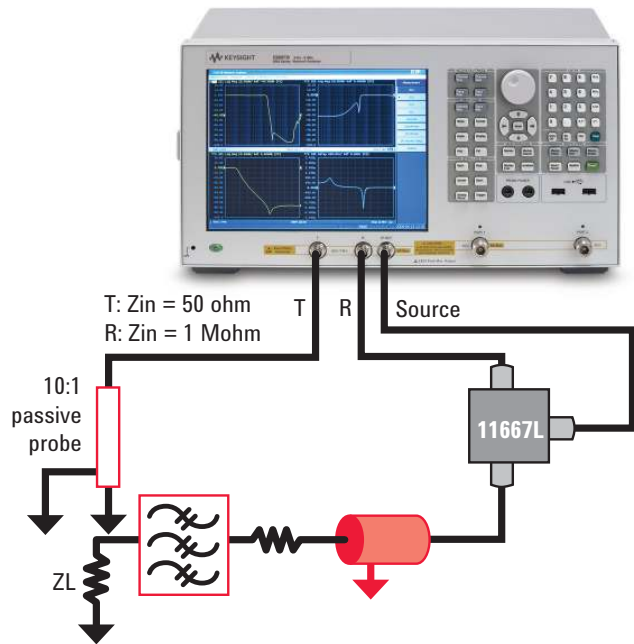


Shunt-thru impedance measurement

Transmission coefficient measurements for 2-port devices

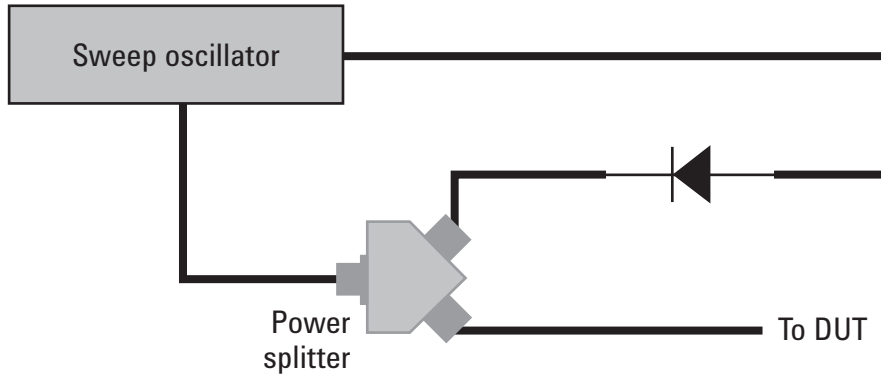


50 ohm device measurement

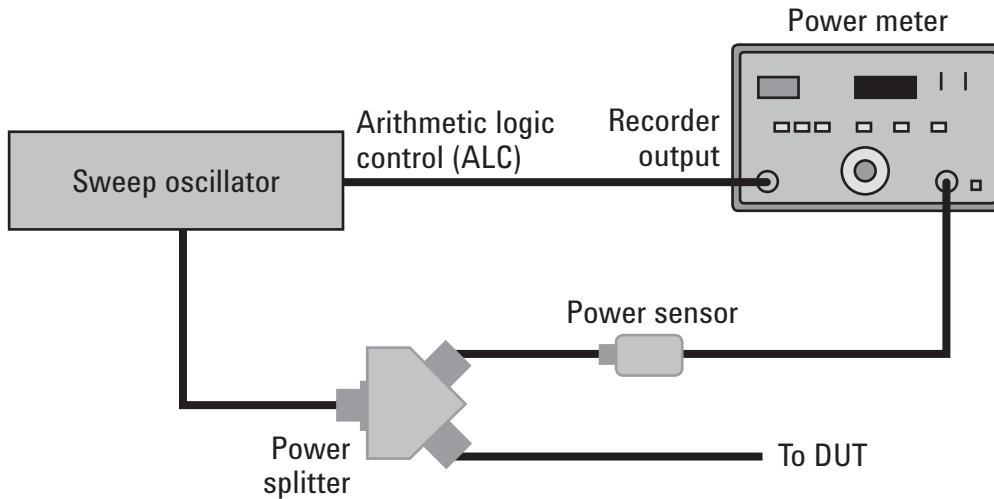


Non-50 ohm LF filter measurement

Rationing and leveling



Power splitter test setup for leveling with a crystal detector



Power splitter test setup for leveling with a power meter

NOTE:

The two-resistor type power splitters are not applicable to power dividing and combining applications. For these purposes, use the three-resistor type power dividers.

Specifications

Specifications describe the product's warranted performance. Supplemental and typical characteristics are intended to provide typical but non-warranted performance parameters. These are denoted as "typical", "nominal" or "approximate".

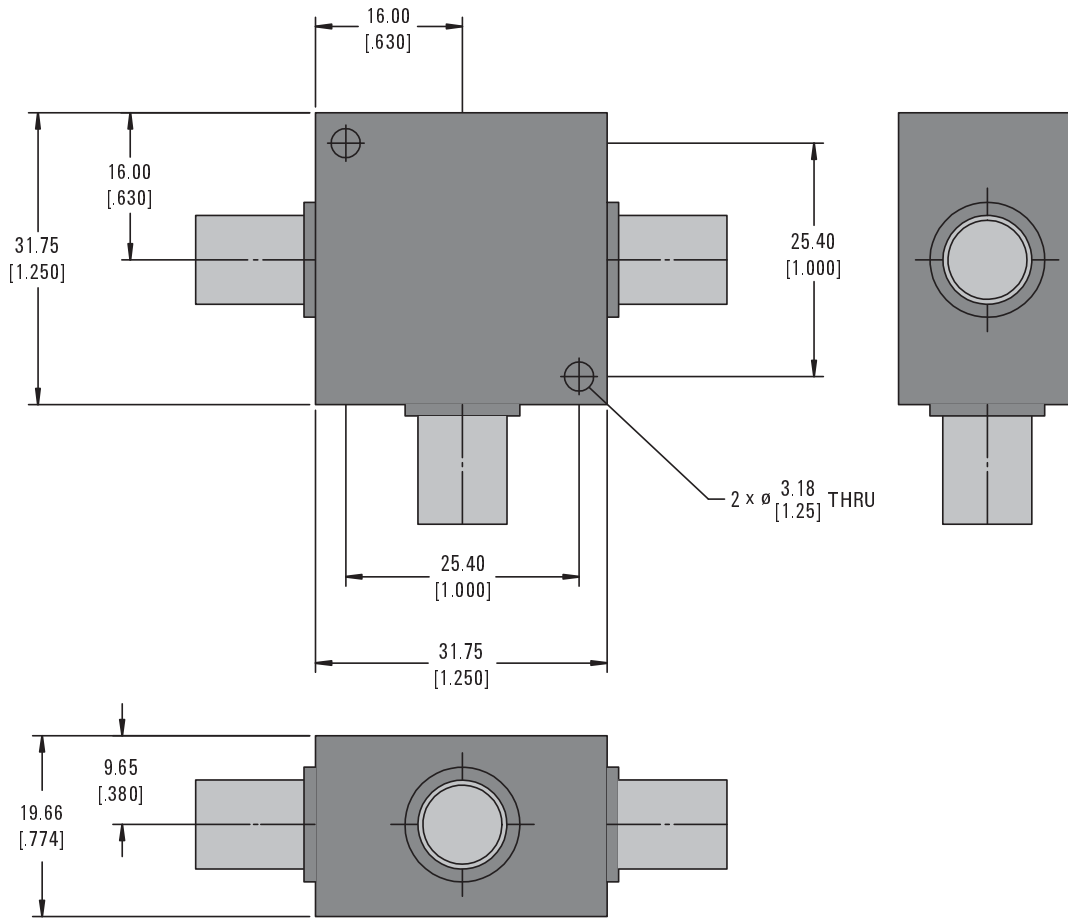
Specifications	Keysight 11667L
Frequency Range	DC to 2 GHz
Connector	BNC (f)
Insertion Loss above 6 dB (max)	DC to 100 MHz : 0.2 dB
	100 MHz to 2 GHz : 0.6 dB
Isolation (Min)	DC to 2 GHz : 11 dB
Return Loss (SWR) Typical	Input : 18 dB (1.3)
	Output : 11 dB (1.78)
Amplitude Tracking (Max)	DC to 100 MHz : 0.1 dB
	100 MHz to 2 GHz : 0.2 dB
Phase Tracking (Max)	DC to 100 MHz : 1 deg
	100 MHz to 2 GHz : 3 deg
Maximum Input Power	500 mW

Environmental Test Specifications

The 11667L is designed to fully comply with Keysight Technologies product operating environment specifications. The following summarizes the environments for these products.

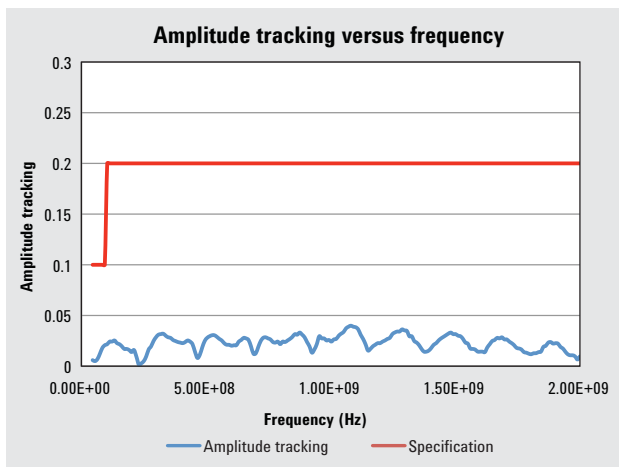
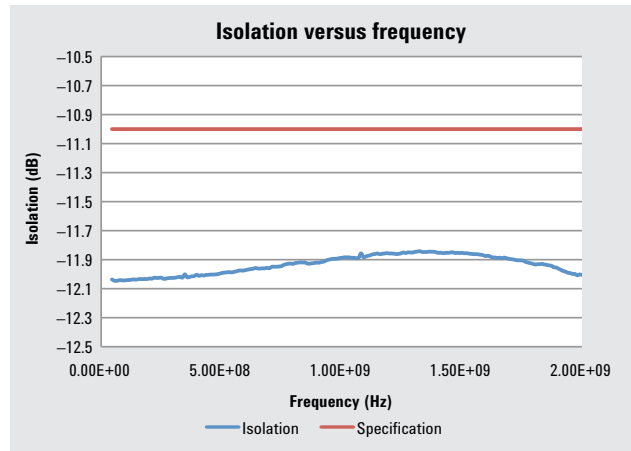
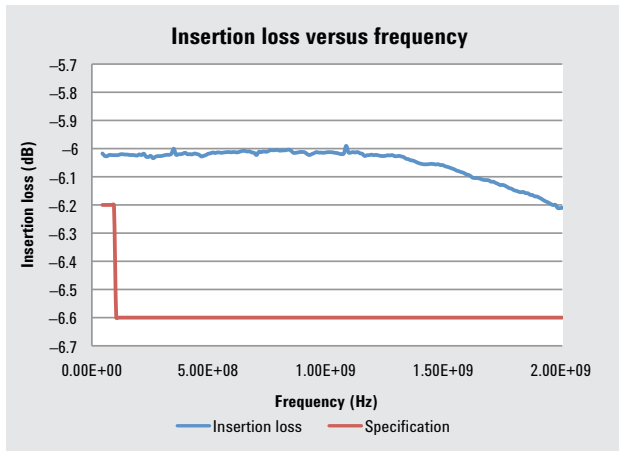
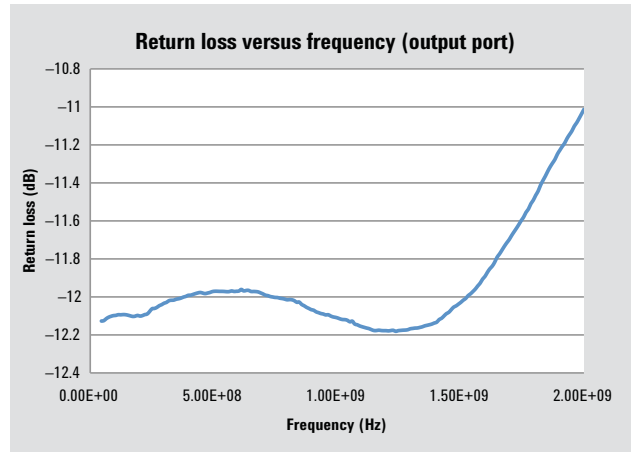
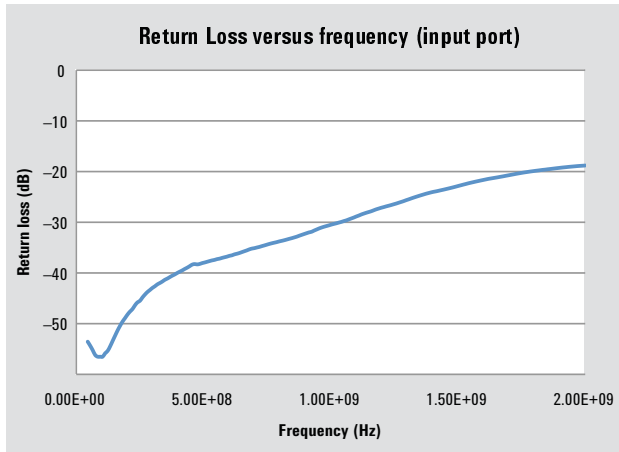
Temperature	
Operating	0 – 55 °C
Non-operating	-40 °C to 70 °C
Humidity	
Non-operating	-10 °C to 25 °C / 50% RH
Operating	40 °C / 95% RH, 5-day cycle
Functional Shock	Half-sine, 30 g, 11 ms
Vibration	
Operating random vibration	5 to 500 Hz, 0.21g RMS
Altitude	
Storage/Operating	≤ 4600 meters (15,000 feet)
ESD immunity	
Direct discharge	6kV
Air discharge	15kV

Mechanical Dimensions



Product dimensions for 11667L

Typical Performance



Ordering Information

11667L Power splitter DC-2 GHz,
BNC, 50 ohm

Related Literature

Differences in Application between Power Dividers and Power Splitter, Application Note, Literature number 5989-6699EN

Keysight E5061B Network Analyzer, Technical Overview, Literature number 5990-4390EN

myKeysight

myKeysight

www.keysight.com/find/mykeysight

A personalized view into the information most relevant to you.



www.lxistandard.org

LAN eXtensions for Instruments puts the power of Ethernet and the Web inside your test systems. Keysight is a founding member of the LXI consortium.



Three-Year Warranty

www.keysight.com/find/ThreeYearWarranty

Keysight's commitment to superior product quality and lower total cost of ownership. The only test and measurement company with three-year warranty standard on all instruments, worldwide.



Keysight Assurance Plans

www.keysight.com/find/AssurancePlans

Up to five years of protection and no budgetary surprises to ensure your instruments are operating to specification so you can rely on accurate measurements.



www.keysight.com/quality

Keysight Technologies, Inc.

DEKRA Certified ISO 9001:2008

Quality Management System

Keysight Channel Partners

www.keysight.com/find/channelpartners

Get the best of both worlds: Keysight's measurement expertise and product breadth, combined with channel partner convenience.

www.keysight.com/find/mta

For more information on Keysight Technologies' products, applications or services, please contact your local Keysight office. The complete list is available at: www.keysight.com/find/contactus

Americas

Canada	(877) 894 4414
Brazil	55 11 3351 7010
Mexico	001 800 254 2440
United States	(800) 829 4444

Asia Pacific

Australia	1 800 629 485
China	800 810 0189
Hong Kong	800 938 693
India	1 800 112 929
Japan	0120 (421) 345
Korea	080 769 0800
Malaysia	1 800 888 848
Singapore	1 800 375 8100
Taiwan	0800 047 866
Other AP Countries	(65) 6375 8100

Europe & Middle East

Austria	0800 001122
Belgium	0800 58580
Finland	0800 523252
France	0805 980333
Germany	0800 6270999
Ireland	1800 832700
Israel	1 809 343051
Italy	800 599100
Luxembourg	+32 800 58580
Netherlands	0800 0233200
Russia	8800 5009286
Spain	0800 000154
Sweden	0200 882255
Switzerland	0800 805353
	Opt. 1 (DE)
	Opt. 2 (FR)
	Opt. 3 (IT)
United Kingdom	0800 0260637

For other unlisted countries:
www.keysight.com/find/contactus
 (BP-07-10-14)