

Keysight Technologies M9330A PXI-H Arbitrary Waveform Generator

Product Fact Sheet

Industries and Applications

- Aerospace Defense T&M
- Radar test
- Satellite test
- Wireless T&M
- Semiconductor testing

Product Description

The Keysight Technologies, Inc. M9330A is a high resolution, wide-bandwidth arbitrary waveform generator (AWG) capable of creating the most realistic waveforms for radar, satellite, and frequency agile communication systems, thanks to its 15-bit vertical resolution and 1.25 GS/s sampling rate.



Models	
M9330A	15-bit, 1.25 GS/s arbitrary waveform generator

Main Features and Benefits

Product features	Your benefit
1.25 GS/s and 15 bits of vertical resolution per channel	Provides exceptionally realistic wide-band waveforms
Dual output channels	Can generate the I and Q components for wideband signal modulation
Extended waveform memory and advanced sequencing engine	Offers long scenario simulations
Multiple module synchronization	Provides multi-emitter simulations
Multiple programmatic interfaces	Enable easy integration into existing test environments

Chassis slot compatibility:
cPCI(J1/J2), PXI-1, PXIe Hybrid

Specifications and Characteristics

Hardware	
Size	4 slots, 3U
Resolution	15 bits
Maximum sample rate	1.25 GS/s
Bandwidth	500 MHz per channel, 1 GHz modulated (nominal)
Impedance	50 Ω (nominal)
Output spectral purity	Harmonic distortion -50 dBc for DC to 500 MHz (nominal) Non-harmonic spurious -75 dBc for 1 kHz to 500 MHz (nominal)
Phase noise	1 kHz: -95 dBc/Hz (nominal) 10 kHz: -115 dBc/Hz (nominal) 100 kHz: -138 dBc/Hz (nominal) 1 MHz: -150 dBc/Hz (nominal)
Noise floor	-150 dBc/Hz (nominal)
Sample clock	Internal or external

Software Information

The M9330A Arbitrary Waveform Generator is supplied with a comprehensive portfolio of module drivers, documentation, examples, and a Soft Front Panel (SFP) graphical user interface to help you quickly develop test systems with your software platform of choice. The SFP graphical interface, named M933x Control Utility, guides developers through module setup and waveform file transfers. Users can quickly configure the instrument's signal conditioning paths, marker and trigger lines, sample and reference clock sources, and simple sequencing functions. More sophisticated sequencing functions are available through the instrument's numerous programmatic interfaces.

Software operating systems	Microsoft Windows XP (32-bit) Microsoft Windows Vista (32/64-bit), Microsoft Windows 7 (32/64-bit)
Standard compliant drivers	IVI-COM, IVI-C, LabVIEW, MATLAB
Supported application development environments (ADE)	VisualStudio (VB.NET, C#, C/C++), VEE, LabVIEW, LabWindows/CVI, MATLAB
Keysight IO Libraries	Includes: VISA Libraries, Keysight Connection Expert, IO Monitor

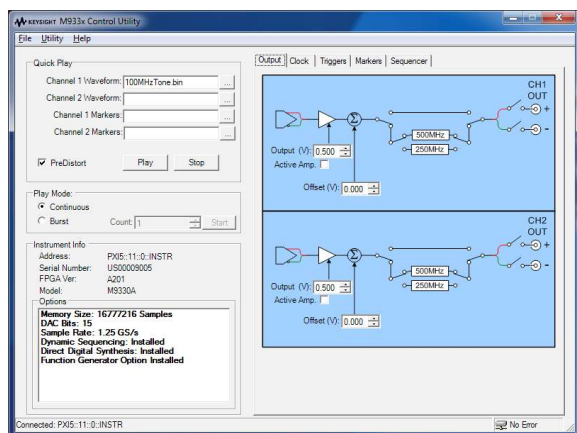


Figure 1. The Keysight M933x Control Utility soft front panel software.

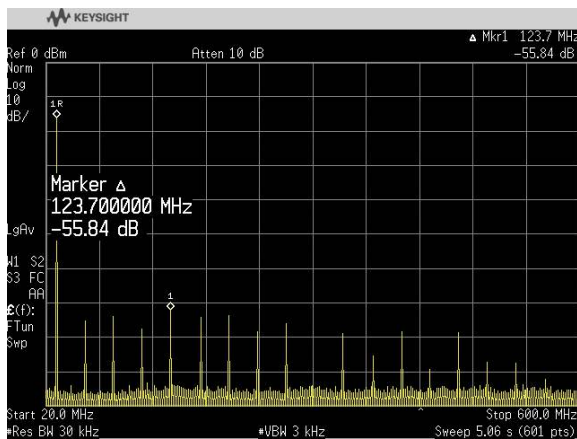


Figure 2. Excellent harmonic and spurious performance are available across the full bandwidth of each channel.



Typical Product Configuration

Model	Description
M9330A	PXI-H arbitrary waveform generator: 1.25 GS/s, 10-bit
M9330A-M08 ¹	Memory: 8 MS per channel
M9330A-125 ¹	Clock operation, 1.25 GS/s
M9330A-200 ¹	Arbitrary waveform generator software

1. These options show a typical M9331A product configuration. For other available options, please refer to the brochure.

Ordering Information

Related Products	
E8267D	PSG vector signal generator
M9331A	PXI-H Arbitrary Waveform Generator: 15-bit, 1.25 GS/s
M9392A	PXI Vector Signal Analyzer
M9202A	PXIe IF Digitizer: 12-bit, 2 GS/s, 1 GHz
M9018A	18-slot PXIe Chassis
M9021A	PCIe Cable Interface
N7509A	Waveform Generation Toolbox for Wideband Signal Simulation
N7619A	Signal Studio for Multiband OFDM UWB
N7620A	Signal Studio for Pulse Building

Accessories	
Y1176A	Kit to synchronize two M933XA series AWG

Advantage Services: Calibration and Warranty

Keysight Advantage Services is committed to your success throughout your equipment's lifetime.

R1280A	Return-to-Keysight - warranty and service plan
--------	--

Keysight Modular Products

www.keysight.com/find/modular
www.keysight.com/find/pxi-switch
 USA: (800) 829-4444

PCIe® is a registered U.S. trademark and/or service mark of PCI-SIG.

For more information on Keysight Technologies' products, applications or services, please contact your local Keysight office. The complete list is available at: www.keysight.com/find/contactus

This information is subject to change without notice.
 © Keysight Technologies, 2012 - 2014
 Printed in USA, August 2, 2014
 5990-6285EN
www.keysight.com