

Keysight Technologies PXI RF Switch Modules

Product Fact Sheet

Industries and Applications

- Aerospace and defense
- Automotive
- Semiconductor
- Electronics test
- Medical

Product Description

The Keysight Technologies, Inc. PXI multiplexer modules deliver high-speed signal routing of many different channels to a single point, and are ideal for routing multiple analog signals to a measurement device in Automated Test environments (ATE) or data acquisition systems.

Models	
M9128A	PXI RF matrix 300 MHz, 50 Ω
M9146A- M9149A	PXI RF multiplexer 3 GHz, 50 Ω
M9103A- M9153A	PXI RF multiplexer 3 GHz, 75 Ω

Main Features and Benefits

Product features	Your benefit
Modern RF relay technology delivers low insertion loss and VSWR	Excellent RF signal integrity and dynamic range
Each switch path is carefully designed	Repeatable RF performance
Software drivers support the most common programming environments	Work in your environment of choice and reduce development time
Snap-on SMB connections, soft front panels, and Agilent Connection Expert	Fast and easy installation and configuration



Specifications and Characteristics

Hardware			
RF switches	Configuration	Insertion loss (typical)	Isolation (typical)
RF 3 GHz, 50 Ω multiplexer switches			
M9146A	Dual 1x4	0.8 dB	45 dB
M9147A	Quad 1x4	1 dB	40 dB
M9148A	1x8	0.8 dB	40 dB
M9149A	1x16	1.2 dB	40 dB
RF 3 GHz, 75 Ω multiplexer switches			
M9150A	Dual 1x4	1 dB	45 dB
M9151A	1x4	1.1 dB	40 dB
M9152A	1x8	1 dB	45 dB
M9153A	1x16	1.2 dB	40 dB
RF 300 MHz, 50 Ω matrix switch			
M9128A	8x12	2 dB ¹	40 dB

Chassis slot compatibility:

cPCI (J1), PXI-1, PXIeHybrid

Software Information

Operating systems	Microsoft Windows XP Microsoft Windows Vista (32/64-bit) Microsoft Windows 7 (32/64-bit)
Standard compliant drivers	IVI-COM, IVI-C, LabVIEW, MATLAB
Supported Application Development Environments (ADE)	VisualStudio (C/C++, C#, VB.NET), LabVIEW, LabWindows/CVI, MATLAB, VEE

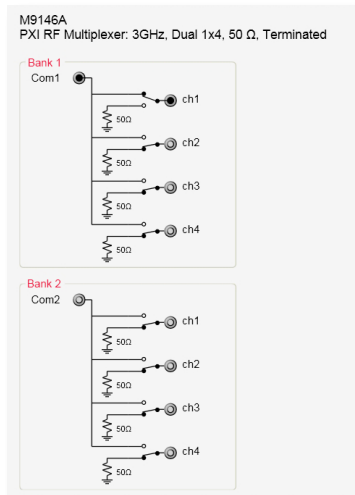


Figure 1. Soft front panel

Ordering Information

Model	Description
M9128A	PXI RF matrix switch: 300 MHz, 8x12, 50 Ω
M9146A	PXI RF multiplexer: 3 GHz, dual 1x4, 50 Ω , terminated
M9147A	PXI RF multiplexer: 3 GHz, quad 1x4, 50 Ω , terminated common
M9148A	PXI RF multiplexer: 3 GHz, 1x8, 50 Ω
M9149A	PXI high-density RF multiplexer: 3 GHz, 1x16, 50 Ω
M9150A	PXI RF multiplexer: 3 GHz, dual 1x4, 75 Ω
M9151A	PXI RF multiplexer: 3 GHz, quad 1x4, 75 Ω
M9152A	PXI high-density RF multiplexer: 3 GHz, 1x8, 75 Ω
M9153A	PXI high-density RF multiplexer: 3 GHz, 1x16, 75 Ω

Related products

M9018A	18-slot PXIe chassis
M9021A	PCIe [®] cable interface
M9045B	PCIe ExpressCard adaptor: Gen 1
Y1200B	PCIe cable: x1 to x8, 2.0m (used with M9045B)
M9048A	PCIe desktop PC adapter
Y1202A	PCIe cable: x8, 2.0m (used with M9048B)
M9122A	8x32, 1-wire matrix switch
M9103A	99-ch, 1-wire multiplexer switch
M9133A	100-ch SPST general purpose switch
M9187A	32-ch digital I/O

KEYSIGHT SERVICES

Accelerate Technology Adoption. Lower costs.

www.keysight.com/find/services

Keysight Services helps you improve productivity and product quality with our comprehensive service offerings of one-stop calibration, repair, asset management, technology refresh, consulting, training, and more.