



Agilent M9047A PCIe Desktop PC Adaptor

DISCOVER the Alternatives...

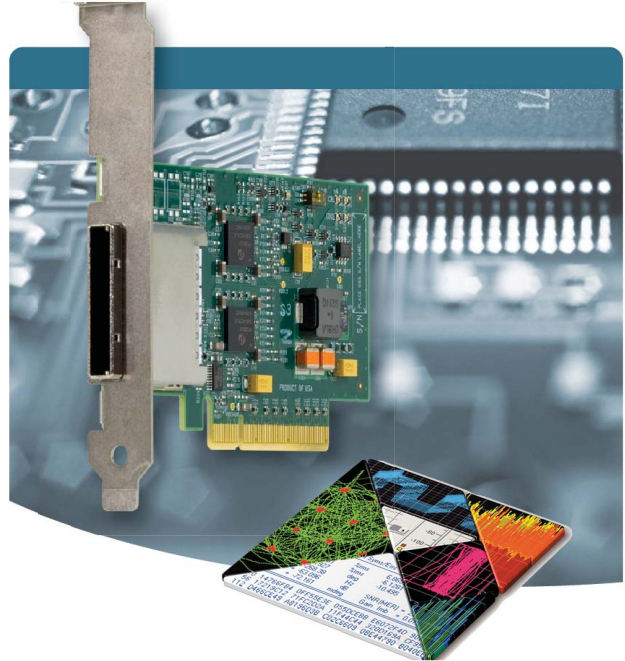
Industries and Applications

- Aerospace and defense
- Communications
- Electronics test
- Semiconductor testing

Product Description

The M9047A PCIe® desktop PC adaptor is a PC card that can be used with an AXIe chassis, such as the M9502A/M9505A, or a PXIe chassis and PCIe cable interface, such as the M9018A/M9021A.

The M9047A PCIe interface card from One Stop Systems (One Stop OSS-PCIE-HIB25-x8-H) is compatible with computers that have x8 expansion slots. It provides an extremely high-performance link between the computer and chassis.



... Agilent **Modular** Products

Models

M9047A PCIe desktop PC adaptor

Main Features and Benefits

Product features	Your benefit
Gen 2 x8 PCIe interface	Enables high-performance applications
Standard PCIe over cable	Connects a PXIe or AXIe chassis to any desktop/rack-mounted computer with a x8 PCIe slot
Transparent operation with application software	Delivers ease of installation

Specifications and Characteristics

Hardware	
Card format	PCIe half-card format
Computer expansion slot compatibility	x8
Dimensions	55 mm (2.2 in) x 114 mm (4.5 in)
Number of PC slots	1
Data bandwidth (max)	4 GB/s
Connector	x8 PCIe cable connector
Board indicator	LEDs for PCIe lane status
Power consumption	3.75 W (typ)
Cable length	Up to a 2-meter passive cable supported

For more complete specifications and manuals, visit the OSS Web site: <http://www.onestopsystems.com/>



Agilent Technologies



Figure 1. M9047A and Y1202A

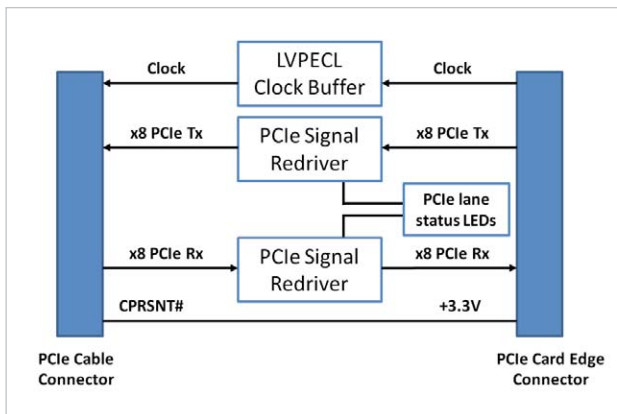


Figure 2. M9047A diagram

PCIe® is a registered U.S. trademark and/or service mark of PCI-SIG.

Typical Product Configuration

Model	Description
M9047A	PCIe desktop PC adaptor
Y1202A	PCIe cable

Ordering Information

Model	Description
M9047A	PCIe desktop PC adaptor: Gen 2, x8

Related products

M9021A	PCIe cable interface: Gen 2, x8
M9502A	2-slot AXIe chassis
M9505A	5-slot AXIe chassis

Accessories

Y1202A	PCIe cable: x8, 2.0m
--------	----------------------

Discover Agilent ...



www.agilent.com

www.agilent.com/find/modular

www.agilent.com/find/pxi-chassis

USA: (800) 829-4444

For more information on Agilent Technologies' products, applications, or services, please contact your local Agilent office. The complete list is available at: www.agilent.com/find/contactus

Product specifications and descriptions in this document subject to change without notice.

© Agilent Technologies, Inc. 2011 Printed in USA, March 21, 2011
5990-7113EN



Agilent Technologies