

Keysight Technologies


6650A Series Single-Output, 500 W DC Power Supplies, GPIB

Speed and accuracy for test optimization

- Fast, low-noise outputs
- Analog control of output voltage and current
- Fan-speed control to minimize acoustic noise
- Built-in measurements and advanced programmable features
- Protection features to ensure DUT safety

Data Sheet





This series of 500 W linear-regulated DC power supplies is designed to maximize the throughput of DUTs through the manufacturing test process with fast up and down programming time.

Valuable assemblies can be destroyed by a minor component failure that causes a surge of current to flow into the DUT. Fast protection features, including fast crowbar, mode crossover protection, and the ability to connect the protection circuitry of multiple power supplies can increase production yield.

Programming of the DC output and the protection features can be done either from the front panel or using industry standard SCPI commands, via the GPIB. Using the serial link, up to 16 power supplies can be connected through one GPIB address. Test system integration can be further simplified by using the VXIplug&play drivers. The output voltage and current can also be controlled with analog signals. This is helpful for certain types of noisy environments, and also immediate reactions to process changes.

Lab bench use is enhanced by the fan speed control, which helps to minimize acoustic noise.

Specifications

Specifications (at 0 ° to 55 ° unless otherwise specified)	6651A	6652A	6653A	6654A	6655A
Number of outputs	1	1	1	1	1
GPIB	Yes	Yes	Yes	Yes	Yes
Output ratings					
Output voltage	0 to 8 V	0 to 20 V	0 to 35 V	0 to 60 V	0 to 120 V
Output current (40 °C)	0 to 50 A	0 to 25 A	0 to 15 A	0 to 9 A	0 to 4 A
Maximum current (50 °C/55 °C)	45 A/42.5 A	22.5 A/21.3 A	13.5 A/12.8 A	8.1 A/7.7 A	3.6 A/3.4 A
Programming accuracy (at 25 °C ± 5 °C)					
Voltage	5 mV	10 mV	15 mV	26 mV	51 mV
Current	60 mA	25 mA	13 mA	8 mA	4 mA
Ripple and noise from 20 Hz to 20 MHz					
rms					
Voltage	300 µV	300 µV	400 µV	500 µV	700 µV
Current	3 mV	3 mV	4 mV	5 mV	7 mV
peak-to-peak	25 mA	10 mA	5 mA	3 mA	2 mA
Readback accuracy at 25 °C ± 5 °C (percent of reading plus fixed)					
Voltage	6 mV	15 mV	25 mV	40 mV	80 mV
Current	67 mA	26 mA	15 mA	7 mA	3 mA
+Current	100 mA	44 mA	24 mA	15 mA	7 mA
-Current					
Load regulation					
Voltage	1 mV	2 mV	3 mV	4 mV	5 mV
Current	2 mA	1 mA	0.5 mA	0.5 mA	0.5 mA
Line regulation					
Voltage	0.5 mV	0.5 mV	1 mV	1 mV	2 mV
Current	2 mA	1 mA	0.75 mA	0.5 mA	0.5 mA
Transient response time	Less than 100 µs for the output voltage to recover to its previous level (within 0.1% of the voltage rating of the supply or 20 mV, whichever is greater) following any step change in load current of up to 50% of the output current rating of the supply				

Supplemental Characteristics (Non-warranted characteristics determined by design and useful in applying the product)	6651A	6652A	6653A	6654A	6655A
Average programming resolution					
Voltage	2 mV	5 mV	10 mV	15 mV	30 mV
Current	15 mA	7 mA	4 mA	2.5 mA	1.25 mA
OVP	12 mV	30 mV	54 mV	93 mV	190 mV
OVP accuracy	160 mV	400 mV	700 mV	1.2 V	2.4 V

Specifications, continued

Specifications (at 0 ° to 55 ° unless otherwise specified)	6651A-J03 Special order option	6651A-J09 Special order option	6652A-J03 Special order option	6653A-J04 Special order option	6653A-J17 Special order option
Number of outputs	1	1	1	1	1
GPIB	Yes	Yes	Yes	Yes	Yes
Output ratings					
Output voltage	6 V	17 V/20 V	27 V	40 V	30 V
Output current (40 °C)	60 A	30 A/15 A	18.5 A	12.5 A	17.5 A
Maximum current (50 °C/55 °C)	54 A/51 A	27 A/25.5 A 13.5 A/12.75 A	16.65 A/15.72 A	11.25 A/10.6 A	15.75 A/14.87 A
Programming accuracy (at 25 °C ± 5 °C)					
Voltage	5 mV	10 mV	13.5 mV	17.5 mV	15 mV
0.06% +	75 mA	36 mA	25 mA	13 mA	16 mA
Current					
0.15% +					
Ripple and noise from 20 Hz to 20 MHz					
Voltage	300 µV	300 µV	450 µV	1.6 mV	400 µV
rms	3 mV	4 mV	4.5 mV	5 mV	4 mV
peak-to-peak	30 mA	13 mA	10 mA	5 mA	6 mA
Current					
rms					
Readback accuracy at 25 °C ± 5 °C (percent of reading plus fixed)					
Voltage	6 mV	15 mV	20.5 mV	30 mV	25 mV
0.07% +	80 mA	40 mA	26 mA	15 mA	18 mA
+Current	150 mA	55 mA	44 mA	24 mA	28 mA
0.15% +					
-Current					
0.35% +					
Load regulation	Less than 100 µs for the output voltage to recover to its previous level (within 0.1% of the voltage rating of the supply or 20 mV, whichever is greater) following any step change in load current of up to 50% of the output current rating of the supply				
Voltage	5 mV	5 mV	5 mV	3.5 mV	3 mV
Current	6.5 mA	2 mA	1 mA	1 mA	0.5 mA
Line regulation					
Voltage	0.5 mV	0.5 mV	0.5 mV	1 mV	1 mV
Current	2 mA	2 mA	2 mA	0.75 mA	0.75 mA
Transient response time					
Supplemental Characteristics (Non-warranted characteristics determined by design and useful in applying the product)	6651A-J03 Special order option	6651A-J09 Special order option	6652A-J03 Special order option	6653A-J04 Special order option	6653A-J17 Special order option
Average programming resolution					
Voltage	2 mV	5 mV	6.75 mV	12 mV	10 mV
Current	18 mA	9 mA	7 mA	4 mA	5 mA
OVP	12 mV	30 mV	30 mV	65 mV	54 mV
OVP accuracy	160 mV	500 mV	400 mV	750 mV	700 mV

Specifications, continued

Specifications (at 0 ° to 55 ° unless otherwise specified)	6654A-J04 Special order option	6654A-J05 Special order option	6654A-J12 Special order option	6655A-J05 Special order option	Special order option
Number of outputs	1	1	1	1	1
GPIB	Yes	Yes	Yes	Yes	Yes
Output ratings					
Output voltage	70 V	50 V	80 V	150 V	156 V
Output current (40 °C)	7.5 V	10 A	6 A	3.2 A	3 A
Maximum current (50 °C/55 °C)	6.75 A/6.37 A	9 A/8.5 A	5.4 A/5.1 A	2.88 A/2.72 A	2.7 A/2.55 A
Programming accuracy (at 25 °C ± 5 °C)					
Voltage	30 mV	26 mV	35 mV	64 mV	71 mV
0.06% +	7 mA	9 mA	7 mA	3.5 mA	4 mA
Current					
0.15% +					
Ripple and noise from 20 Hz to 20 MHz					
Voltage	600 µV	500 µV	700 µV	800 µV	900 µV
rms	6 mV	5 mV	7 mV	8 mV	8 mV
peak-to-peak	5 mA	4 mA	3 mA	2 mA	3 mA
Current					
rms					
Readback accuracy at 25 °C ± 5 °C (percent of reading plus fixed)					
Voltage	50 mV	40 mV	58 mV	100 mV	110 mV
0.07% +	6 mA	8 mA	6 mA	2.5 mA	3 mA
+Current	13 mA	17 mA	16 mA	6.5 mA	7.5 mA
0.15% +					
-Current					
0.35% +					
Load regulation					
Voltage	4 mV	4 mV	4 mV	6 mV	7 mV
Current	0.5 mA	0.5 mA	0.5 mA	0.5 mA	1 mA
Line regulation					
Voltage	1 mV	1 mV	4.5 mV	2 mV	2 mV
Current	0.5 mA	0.5 mA	0.5 mA	0.5 mA	1 mA
Transient response time	Less than 100 µs for the output voltage to recover to its previous level (within 0.1% of the voltage rating of the supply or 20 mV, whichever is greater) following any step change in load current of up to 50% of the output current rating of the supply				
Supplemental Characteristics (Non-warranted characteristics determined by design and useful in applying the product)	6654A-J04 Special order option	6654A-J05 Special order option	6654A-J12 Special order option	6655A-J05 Special order option	6653A-J10 Special order option
Average programming resolution					
Voltage	17.5 mV	15 mV	20 mV	37.5 mV	39.5 mV
Current	1.9 mA	2.75 mA	1.7 mA	8 mA	8 mA
OVP	110 mV	93 mV	130 mV	240 mV	250 mV
OVP accuracy	1.4 V	1.2 V	1.6 V	3 V	3.3 V

Supplemental characteristics for all model numbers

DC floating voltage: Output terminals can be floated up to ± 240 VDC from chassis ground

Remote sensing: Up to half the rated output voltage can be dropped in each load lead. The drop in the load leads subtracts from the voltage available for the load.

Command processing time: Average time required for the output voltage to begin to change following receipt of digital data is 20 ms for the power supplies connected directly to the GPIB

Output programming response time: The rise and fall time (10/90% and 90/10%) of the output voltage is less than 15 ms. The output voltage change settles within 1 LSB (0.025% x rated voltage) of final value in less than 60 ms.

Down programming: An active down programmer sinks approximately 20% of the rated output current

Modulation: (Analog programming of output voltage and current)

Input signal: 0 to -5 V

Input impedance: 10 k Ω nominal

AC input: (AC input frequency 47 to 63 Hz)

Voltage	100 VAC	120 VAC	220 VAC	240 VAC
Current	12 A	10 A	5.7 A	5.3 A

Input power: 1,380 VA, 1,100 W at full load; 120 W at no load

GPIB interface capabilities: SH1, AH1, T6, L4, SR1, RL1, PPO, DC1, DT1, E1, and C0. IEEE-488.2 and SCPI-compatible command set.

Software driver:

- IVI-COM
- VXIplug&play

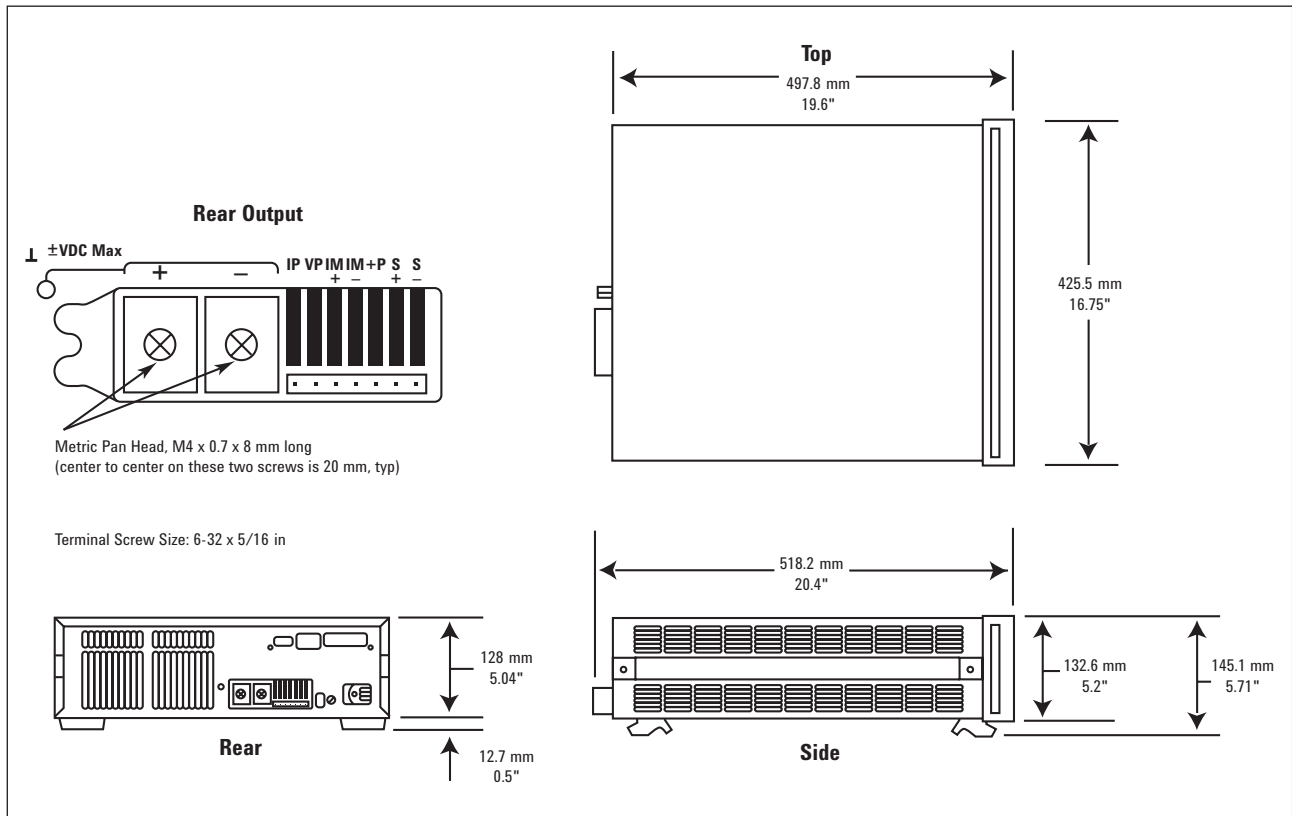
Regulatory compliance: Listed to UL 1244; conforms to IEC 61010-1.

Size: 425.5 mm W x 132.6 mm H x 497.8 mm D
(16.75 in x 5.22 in x 19.6 in)

Weight: Net, 25 kg (54 lb); shipping, 28 kg (61 lb)

Warranty: One year

Keysight Models: 6651A, 6652A, 6653A, 6654A, 6655A



Ordering information

Opt 100 87 to 106 VAC, 47 to 63 Hz
Opt 120 104 to 127 VAC, 47 to 63 Hz
Opt 220 191 to 233 VAC, 47 to 63 Hz
Opt 240 209 to 250 VAC, 47 to 66 Hz

Opt 0L1 Full documentation on CD-ROM
and printed user's and programming
guides. CD-ROM includes User's
Guide,
Programming Guide, Service Manual,
and Quick Start Guide

Opt 0B3 Printed service manual

Accessories

1CM003A* Rack mount flange kit 132.6 mm H
(3U) – two flange brackets

1CP002A* Rack mount flange and handle kit
132.6 mm H (3U) – two brackets
and front handles

E3663AC* Support rails for Keysight rack cab-
inets

p/n 1494-0059 Accessory slide kit

p/n 1252-3698 7-pin analog plug

p/n 1252-1488 4-pin digital plug

p/n 5080-2148 Serial link cable 2 m (6.6 ft)

Application notes

*10 Practical Tips You Need to Know About
Your Power Products*, 5965-8239E

*10 Hints for Using Your Power Supply to
Decrease Test Time*, 5968-6359E

*Understanding Linear Power Supply
Operation (AN1554)*, 5989-2291EN

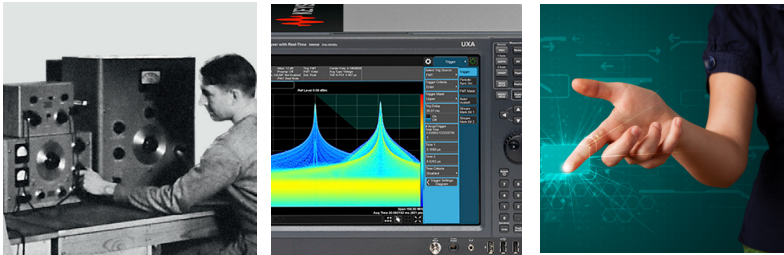
*Modern Connectivity—Using USB and LAN I/O
Converters (AN 1475-1)*, 5989-0123EN

*Keysight DC Power Supplies for Base Station
Testing*, 5988-2386EN

*Support rails required

Evolving

Our unique combination of hardware, software, support, and people can help you reach your next breakthrough. **We are unlocking the future of technology.**



From Hewlett-Packard to Agilent to Keysight



myKeysight

myKeysight

www.keysight.com/find/mykeysight

A personalized view into the information most relevant to you.

Keysight Infoline

Keysight Infoline

www.keysight.com/find/Infoline

Keysight's insight to best in class information management. Free access to your Keysight equipment company reports and e-library.

KEYSIGHT SERVICES

Keysight Services

www.keysight.com/find/service

Our deep offering in design, test, and measurement services deploys an industry-leading array of people, processes, and tools. The result? We help you implement new technologies and engineer improved processes that lower costs.



Three-Year Warranty

www.keysight.com/find/ThreeYearWarranty

Keysight's committed to superior product quality and lower total cost of ownership. Keysight is the only test and measurement company with three-year warranty standard on all instruments, worldwide. And, we provide a one-year warranty on many accessories, calibration devices, systems and custom products.



Keysight Assurance Plans

www.keysight.com/find/AssurancePlans

Up to ten years of protection and no budgetary surprises to ensure your instruments are operating to specification, so you can rely on accurate measurements.

Keysight Channel Partners

www.keysight.com/find/channelpartners

Get the best of both worlds: Keysight's measurement expertise and product breadth, combined with channel partner convenience.

www.keysight.com/find/6650

For more information on Keysight Technologies' products, applications or services, please contact your local Keysight office. The complete list is available at: www.keysight.com/find/contactus

Americas

Canada	(877) 894 4414
Brazil	55 11 3351 7010
Mexico	001 800 254 2440
United States	(800) 829 4444

Asia Pacific

Australia	1 800 629 485
China	800 810 0189
Hong Kong	800 938 693
India	1 800 11 2626
Japan	0120 (421) 345
Korea	080 769 0800
Malaysia	1 800 888 848
Singapore	1 800 375 8100
Taiwan	0800 047 866
Other AP Countries	(65) 6375 8100

Europe & Middle East

Austria	0800 001122
Belgium	0800 58580
Finland	0800 523252
France	0805 980333
Germany	0800 6270999
Ireland	1800 832700
Israel	1 809 343051
Italy	800 599100
Luxembourg	+32 800 58580
Netherlands	0800 0233200
Russia	8800 5009286
Spain	800 000154
Sweden	0200 882255
Switzerland	0800 805353
	Opt. 1 (DE)
	Opt. 2 (FR)
	Opt. 3 (IT)
United Kingdom	0800 0260637

For other unlisted countries:
www.keysight.com/find/contactus
(BP-06-08-16)



www.keysight.com/go/quality

Keysight Technologies, Inc.
DEKRA Certified ISO 9001:2015
Quality Management System



Unlocking Measurement Insights

This information is subject to change without notice.
© Keysight Technologies, 2014 - 2016
Published in USA, October 17, 2016
5990-9305EN
www.keysight.com