

# Keysight CXA/EXA/MXA Signal Analyzer

Option PRC - Portable Configuration

Installation Note

# Notices

© Copyright 2009-2015 Keysight Technologies, Inc.

The information contained in this document is subject to change without notice.

Keysight Technologies makes no warranty of any kind with regard to this material, including but not limited to, the implied warranties of merchantability and fitness for a particular purpose.

Keysight Technologies shall not be liable for errors contained herein or for incidental or consequential damages in connection with the furnishing, performance, or use of this material.

## Manual Part Number

N9020-90133

Supersedes N9020-90044

## Edition

Edition 1, April 2015

Printed in USA/Malaysia

Published by:

Keysight Technologies, Inc.  
1400 Fountaingrove Parkway  
Santa Rosa, CA 95403

## Option PRC, Portable Configuration Installation Kit

Products Affected:	CXA N9000A EXA N9010A MXA N9020A
Serial Numbers:	All
To Be Performed By:	(X) Keysight Service Center (X) Personnel Qualified by Keysight (X) Customer
Estimated Installation Time:	0.5 Hours
Estimated Adjustment and Verification Time:	N/A

### Introduction

This installation note is part of a retrofit kit that enables the installation of Option PRC, Portable Configuration. This retrofit kit provides the bumpers and handle hardware needed to convert a bench top signal analyzer into a portable signal analyzer.

#### CAUTION

While the parts in this upgrade kit could also be installed onto a PXA N9030A signal analyzer, this kit is NOT to be used with these instruments.

The bail handle for the portable configuration, and its attachment to the instrument, has NOT been designed to support the added weight of the PXA N9030A signal analyzer.

The use of this portable configuration upgrade kit with a PXA N9030A signal analyzer, or any other unintended use, could result in either personal injury or instrument damage.

## Option PRC, Portable Configuration Installation Kit

### Contents

Quantity	Description	Keysight Part Number
1	Installation Note	This note
1	Trim Strip, Top with Bumper	W1312-40004
4	Bumper Assembly, Front	W1312-40020
4	Bumper Assembly, Rear	W1312-40021
4	Hole Plug, Strap Handle	W1312-40024
1	Cover, Impact	W1312-40025
4	Hole Plug, Bottom Foot	W1312-40032
1	Bail Handle Assembly	W1312-60036
12	Screw M4 X 0.7 14 mm-LG	0515-0435
4	Screw M5 X 0.8 14 mm-LG	0515-5209
4	Screw M4 X 0.7 25 mm-LG Pan head	0515-1619
4	Washer, Flat	3050-0893

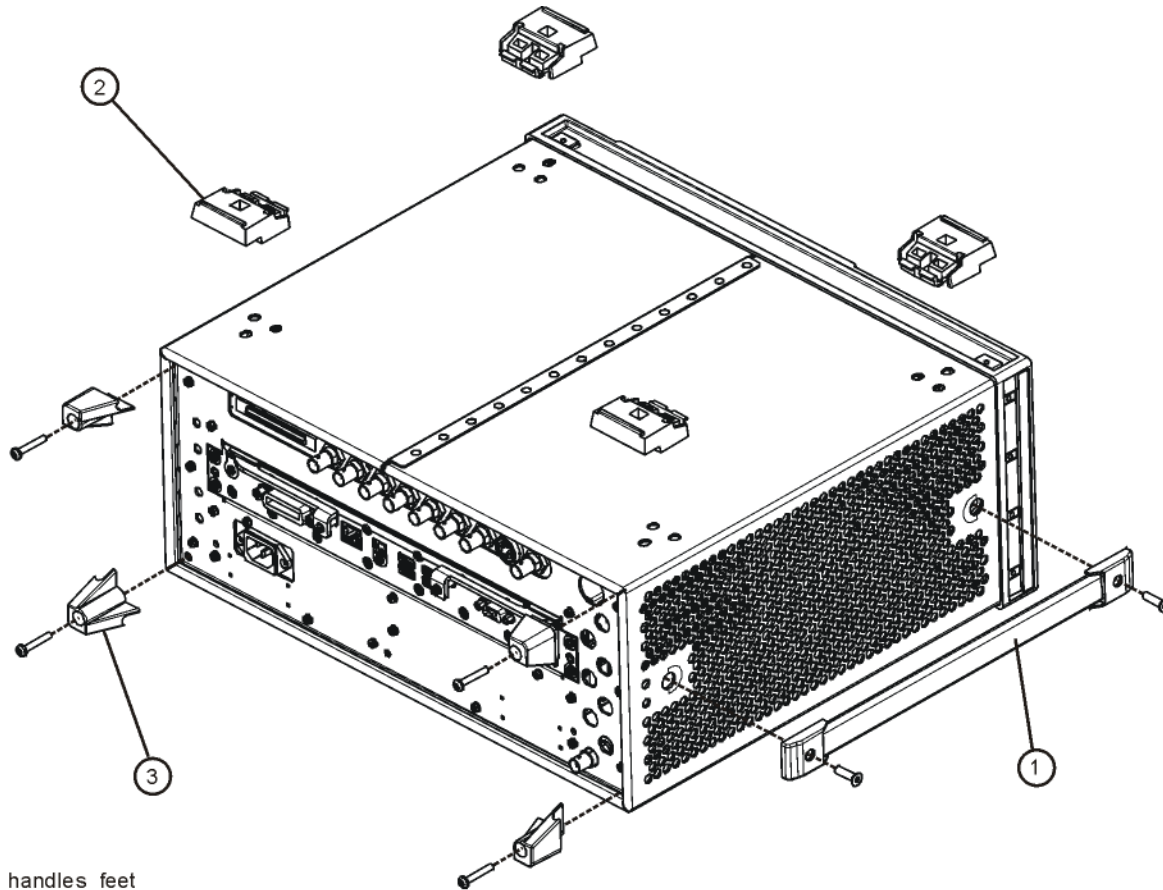
### Tools Required

- T-20 Torx driver
- Small flathead screwdriver

## Installation Procedure

1. Refer to **Figure 1**. Locate and remove both strap handle assemblies (1) (N9020-60002). Each handle is attached to the instrument case with two Torx 20 screws. Set aside the two strap handle assemblies as they are no longer needed.

**Figure 1** Strap Handle Removal



2. Locate four strap handle hole plugs (**W1312-40024**) and four screws (**0515-5209**) from the kit. Install strap handle hole plugs and secure with screws. Torque to 21 in-lbs.
3. Locate and remove the four key locks (5021-2840) from the four instrument feet located on the bottom of the instrument. Set aside the four key locks as they are no longer needed.
4. Locate and remove the four instrument feet (2) (5041-9167) located on the bottom of the instrument. Set aside the four instrument feet as they are no longer needed.
5. Locate and remove the four rear feet (3) (5041-9611). Each foot is attached with one Torx 20 screw and a washer. Set aside the four rear feet, the four screws and the four washers as they are no longer needed.

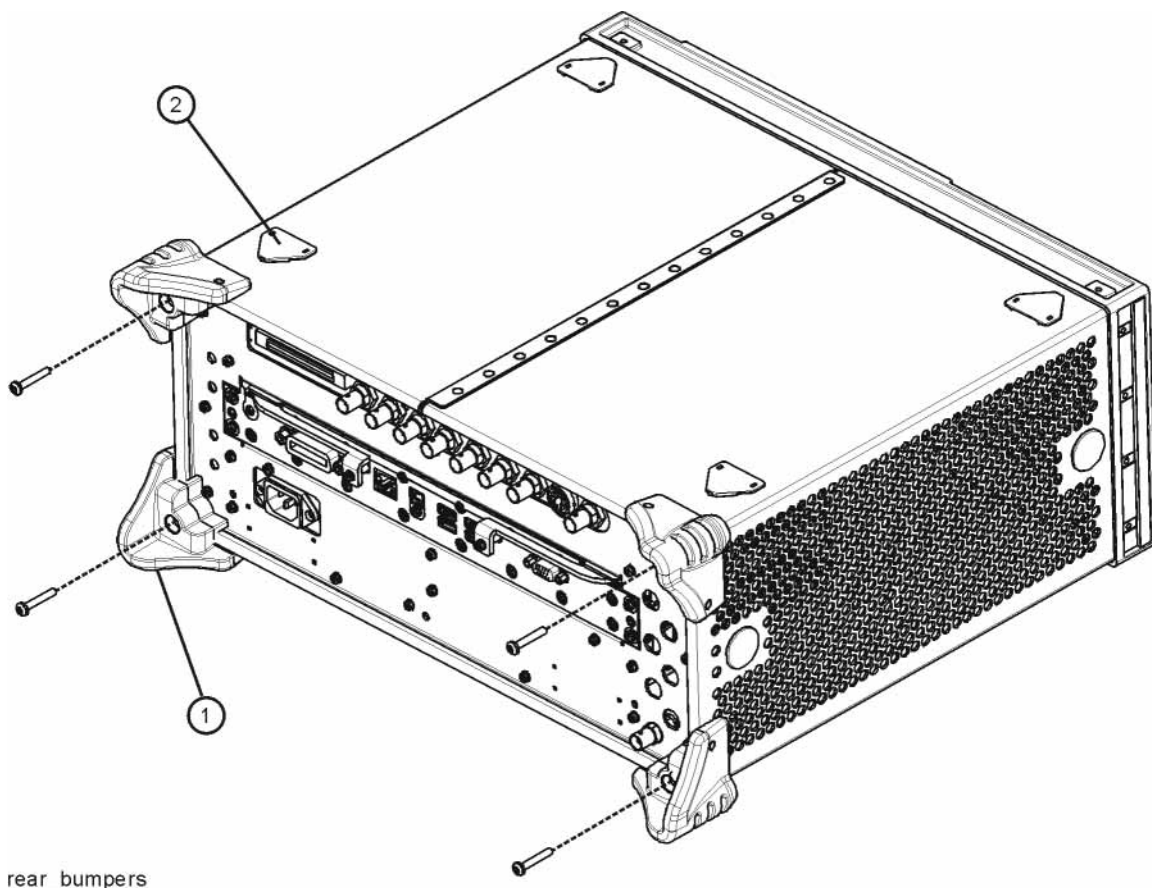
NOTE

1. It is recommended that all of the parts that have just been removed be stored away somewhere together in case you need to return the instrument to the bench top configuration.

2. The screws attaching the four rear bumpers are what hold the instrument cover in place. Once these have been removed, be careful not to disturb the instrument cover placement as it is seated into the EMI gasketing in the front frame. Also, removal or excessive movement of the instrument cover may break any calibration or security seals that may have been placed on the instrument.

- 
6. Refer to **Figure 2**. Locate four rear bumper feet (1) (**W1312-40021**), four screws (**0515-1619**) and four washers (**3050-0893**) from the kit. Install the rear bumper feet. Secure with screws and washers. Torque to 21 in-lbs.

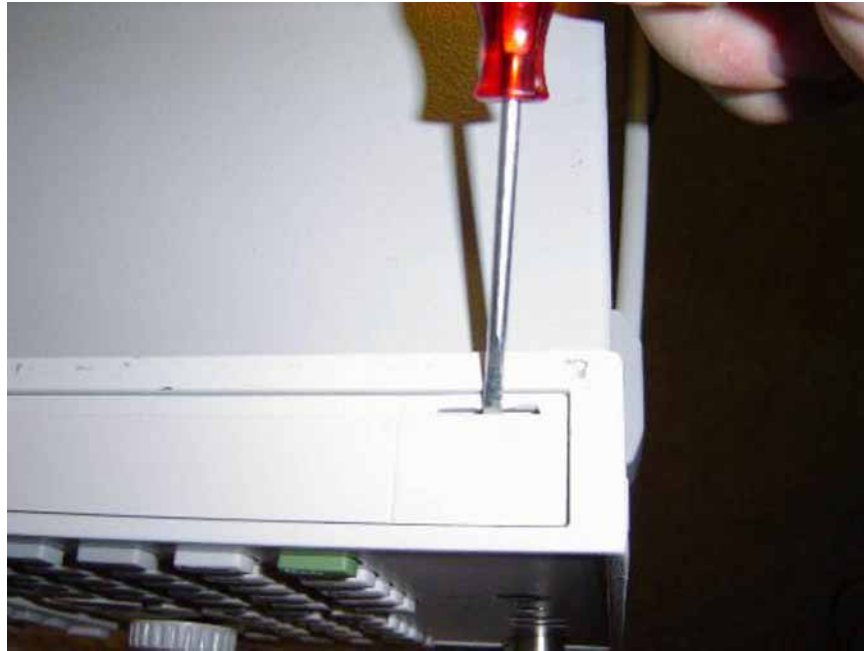
**Figure 2** Rear Bumper Installation



7. Locate and install four foot hole plugs (2) (**W1312-40032**) from the kit.

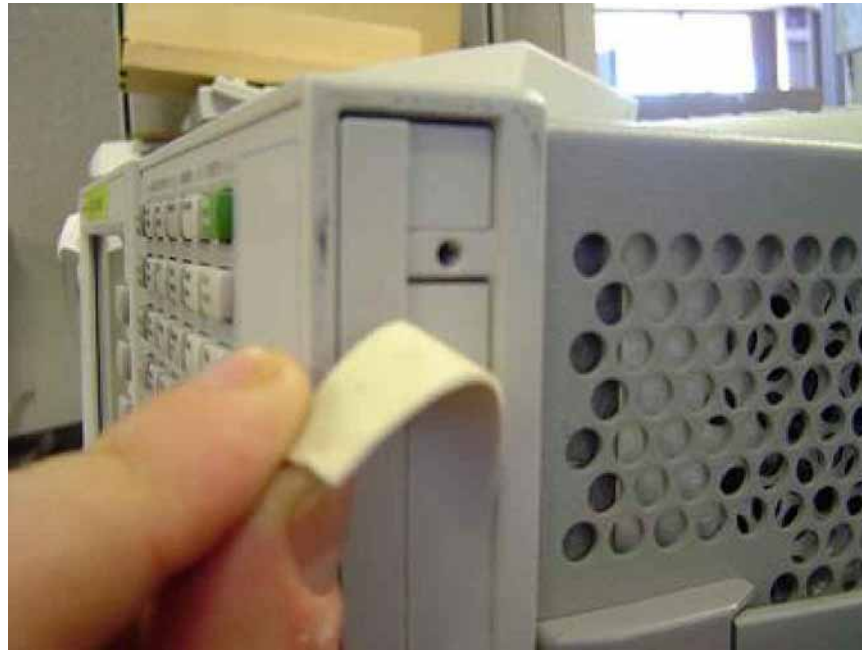
8. Refer to **Figure 3**. Locate the top trim strip on the front panel. The top trim strip snaps into place. Use a small flathead screw driver to remove the top trim strip as shown. Ensure that you do not scratch the front panel. Discard the top trim strip.

**Figure 3** Top Trim Strip Removal



9. Refer to **Figure 4**. Locate and remove the adhesive side trim strips from both sides of the front panel. Discard the side trim strips.

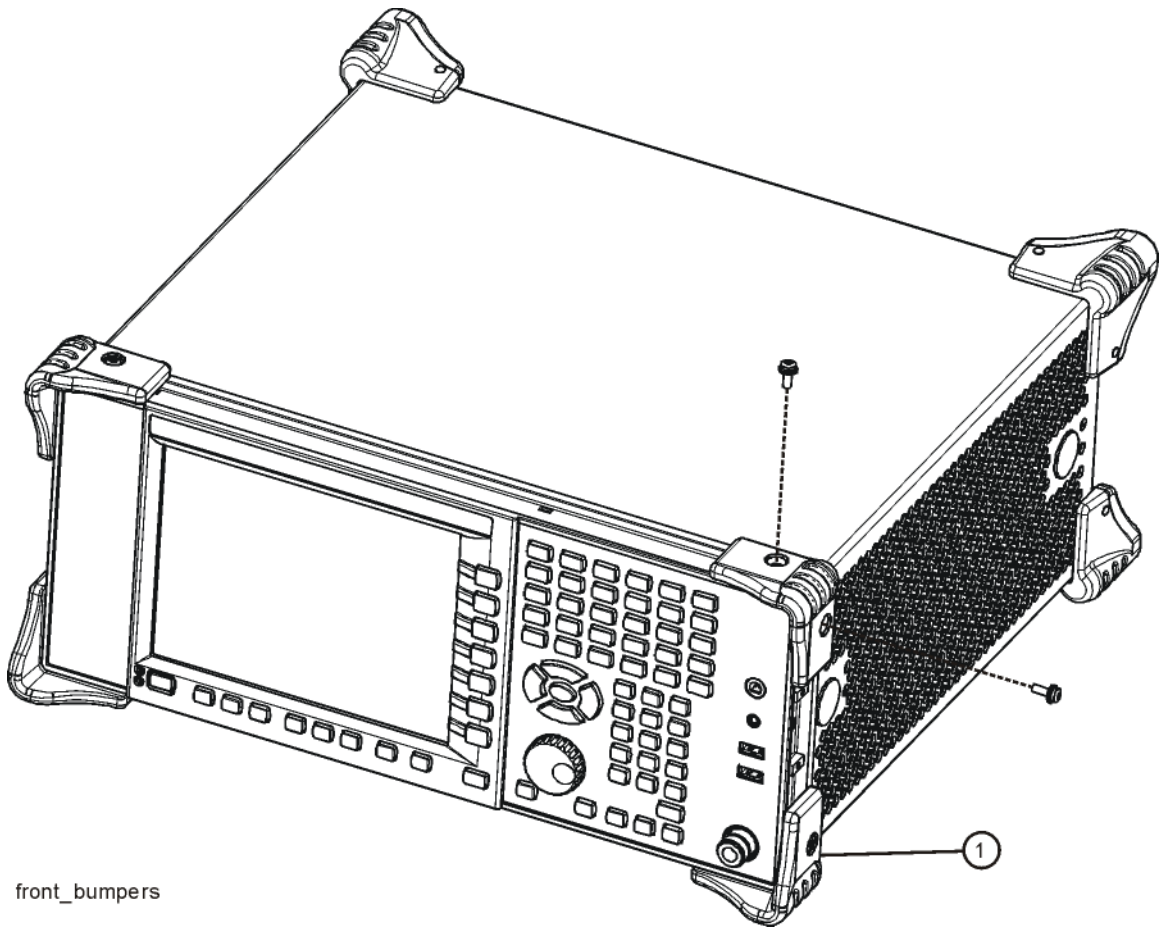
**Figure 4** Side Trim Strip Removal



10. Locate the top trim strip (W1312-40004) from the kit. Snap top trim strip into place in the cavity on the top of the front frame.
11. Refer to **Figure 5**. Locate four front bumpers (1) (W1312-40020) and eight screws (0515-0435) from the kit. Install front bumpers with long side facing forward. Secure each front bumper with two screws. Torque to 21 in-lbs.

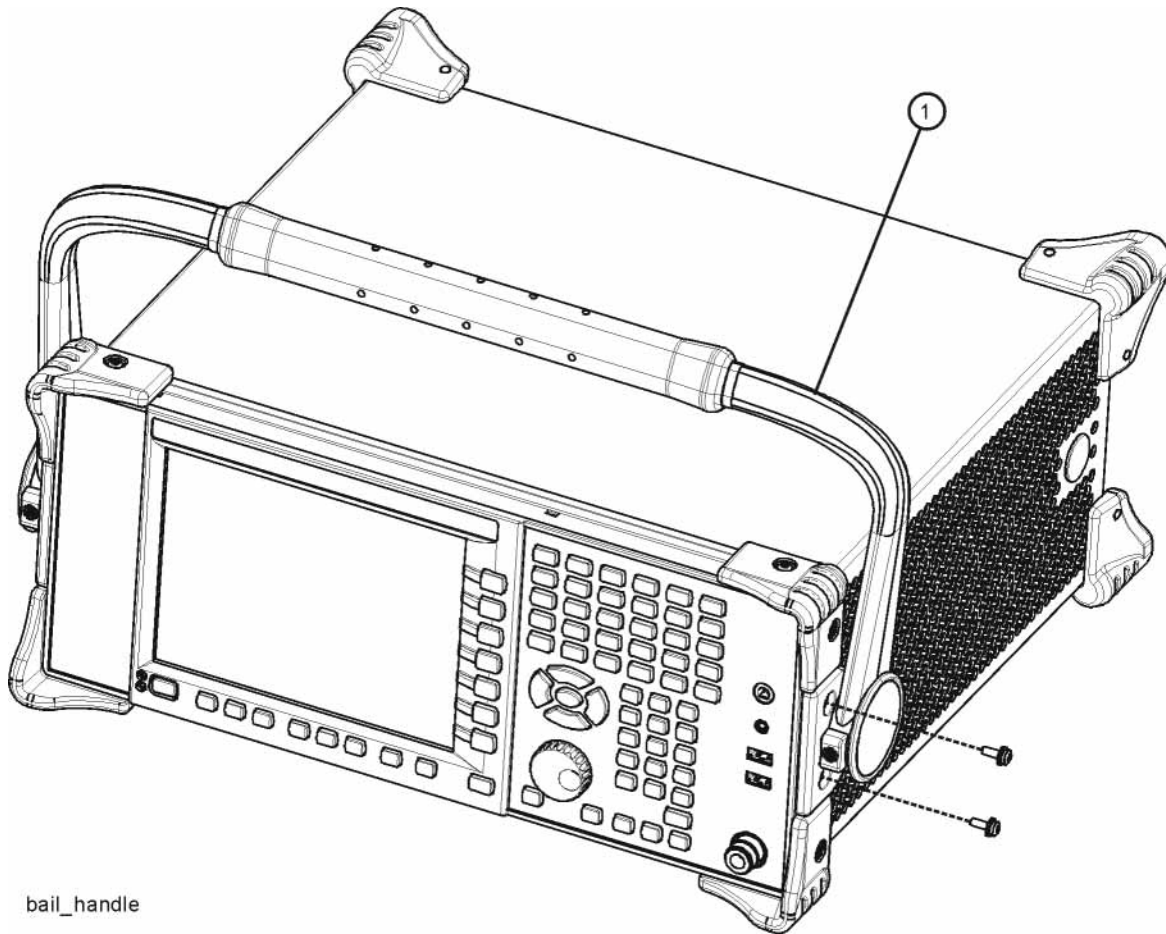


Figure 5 Front Bumper Installation



12. Refer to **Figure 6**. Locate Bail Handle assembly (1) (W1312-60036) and four screws (0515-0435) from the kit. Adjust handle as shown. Snap handle into place on the instrument front frame. Secure the Bail Handle assembly with screws. Torque to 21 in-lbs.

**Figure 6** Bail Handle Installation



13. Locate Impact Cover (W1312-40025). This cover is used to protect the instrument front panel during transport. Since it must be removed to use the instrument, you may or may not put it on the instrument at this time depending on your need.

## Utilities, Adjustments, and Performance Verification Tests

### Utilities Required

None

### Adjustments Required

None

### Performance Testing Required

None

End of installation

For assistance, contact your nearest Keysight Technologies Sales and Service Office. To find your local Keysight office access the following URL, or call the following telephone number:

<http://www.keysight.com/find/assist>

1-800-829-4444 (8 am - 8 pm ET, Monday - Friday)



This information is subject to change without notice.

© Keysight Technologies 2009-2015

Edition 1, April 2015

N9020-90133

[www.keysight.com](http://www.keysight.com)